

Ref. : VP 3649-03.pas

Rev. : A

Date : 15/07/08

Page : 1/1

THREADED LUGS BUTTERFLY VALVE WITH DOUBLE ACTING PNEUMATIC ACTUATOR

VP 3649-03



ROBINETTERIE INDUSTRIELLE ET ACCESSOIRES
INDUSTRIAL VALVES AND ACCESSORIES

APPLICATION

General use : Water, air, acids etc.

GENERAL CHARACTERISTICS

Design in accordance with NF EN 593.
TECFLY LUG: type with threaded lugs allowing screw assembling.
Tightness in both ways.
Sleeve body in dovetail shape ensures a perfect assembling (for high vacuum we can stick it)
Stem: high and low semi stem giving a high flow coefficient.
Machined disc with on periphery giving a low and regular torque.
Stem unjectable, bearing:stainless steel teflon lined.
Dovetail type sleeve, accordind to ISO 5211.

CONSTRUCTION

13	1	Spacer	Aluminium	
12	4	Screw	Stainless steel	
11	4	Washer	Stainless steel	
10	1	Double acting pneumatic actuator	Anodized aluminium	
9	2	Split pin	Stainless steel	
8	1	Gasket	NBR	
7	2	O-Ring	NBR	
6	2	Guiding bearing	Teflon-lined	
5	1	Upper stem	Stainless steel 416	DIN : 1.4005 ASTM : AISI 416 BS : 416 S 21
4	1	Lower stem	Stainless steel 416	DIN : 1.4005 ASTM : AISI 416 BS : 416 S 21
3	1	Sleeve	Heat EPDM	Standard
2	1	Disc	GX5CrNiMo 19-11-2	DIN : G-X6CrNiMo 18 10 ASTM : A 351 Grade CF8M BS : EN-JS1030
1	1	Body	Cast iron EN-GJL-250	DIN : GG25 ASTM : A48 class 40B BS : 1452 Grade 250
Pos.	Qty.	Description	Material	

DIMENSIONS

DN	REF *	H	H1	G	L	Ø T	n	Ø M	V	W1	X	TYPE	Weight (kg)
40 - 1" 1/2	DA. 63	250,5	133	66	33	110	4	M 16	162	80,5	100,5	F07	4,6
50 - 2"		270,5	140	71	43	125	4	M 16	162	80,5	100,5	F07	5,5
65 - 2" 1/2		270,5	153	78	46	145	4	M 16	162	80,5	100,5	F07	6,5
80 - 3"		276,5	159	89	46	160	8	M 16	162	80,5	100,5	F07	7,5
100 - 4"	DA. 75	312	178	102	52	180	8	M 16	207	97,5	117	F07	9,8
125 - 5"	DA. 85	335,5	190	117	56	210	8	M 16	237,5	106	128,5	F07	12,7
150 - 6"	DA.100	361,5	203	130	56	240	8	M 20	271,5	123	141,5	F07	16,3
200 - 8"	DA.115	431,5	238	159	60	295	8	M 20	328	137	171,5	F10	26,5
250 - 10"	DA.125	465,5	268	190	68	350	12	M 20	366	148	183,5	F10	40,4
300 - 12"	DA.160	540	306	222	78	400	12	M 20	522	187	218	F10	58,8

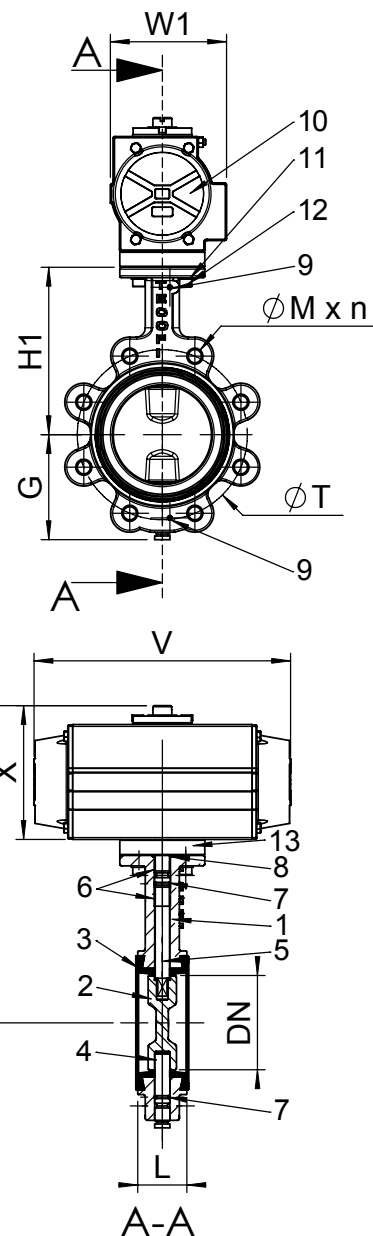
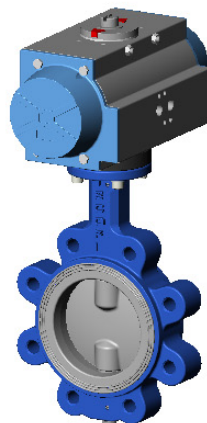
* Data sheet is according to ΔP 10 bar maxi for air pressure of 6 bar.
(For ΔP 16 bar please contact us)

STANDARDS

Manufacture according to the requirements of the European directive 97/23/CE «Equipments under pressure» : fluids category III modulate H.
Pressure test according to standards
EN 12266-1, DIN 3230, BS 6755 and ISO 5208 :
Body : 24 bar.
Seat : 17,6 bar.

Face to face according to standard NF EN 558-1 serie 20, ISO 5752 serie 20, DIN 3202.

Mounting between flanges PN10 / PN16 up to DN150 and PN10 for upper diameters: according to EN 1092-2, BS450, ANSI B16.1-5.
Adjustable between flanges PN16 and ASA 150 on request.



WORKING CONDITIONS

Maximun working pressure : 16 bar.
Maximun temperature : -15°C / +130°C.
Peak temperature : -30°C / +150°C.