

Ref. : VP 5445-08.pas

Rev. : Initial

Date : 07/08/2007

Page : 1/1

# BUTTERFLY VALVE WITH GEAR BOX

## VP 5445-08



ROBINETTERIE INDUSTRIELLE ET ACCESSOIRES  
INDUSTRIAL VALVES AND ACCESSORIES

### APPLICATION

General use : Water, air, acids etc.

### GENERAL CHARACTERISTICS

Design in accordance with NF EN 593.

TECFLY type with lugs enabling use on bottom line.

Tightness in both ways.

Two kinds of sleeves:

- Body in dovetail shape ensures a perfect assembling (for high vacuum we can stick it)

- Internally reinforced resin sleeve giving a lower torque

Stem: high and low semi stem giving a high flow coefficient.

Machined disc with on periphery giving a low and regular torque.

Stem unjectable, bearing:stainless steel teflon lined.

Dovetail type sleeve, accordind to ISO 5211.

### CONSTRUCTION

12	4	Screw CHC	Stainless steel A2	
11	4	Washer	Stainless steel A2	
10	1	Gear box	Cast iron	
9	2	Split pin	Sainless steel	
8	1	Gasket	NBR	
7	2	O-ring	NBR	
6	2	Guiding bearing	Teflon-lined	
5	1	Upper stem	Stainless steel 416	DIN: 1.4005 ASTM: AISI 416 BS: 416 S21
4	1	Lower stem	Stainless steel 416	DIN: 1.4005 ASTM: AISI 416 BS: 416 S21
3	1	Sleeve	Heat EPDM	
2	1	Disc	Steel A216 Grade WCB	DIN: GS-C25 ASTM: A216 Grade WCB BS: 161 Grade 430E
1	1	Body	Steel A216 Grade WCB	DIN: GS-C25 ASTM: A216 Grade WCB BS: 161 Grade 430E
Pos.	Qty.	Description	Material	

### DIMENSIONS

DN	L	G	H	H1	V	ØP	TYPE	Weight (kg)
40 - 1"1/2	33	66	249	134	148	150	F07	7,4
50 - 2"	43	72	255	140	148	150	F07	8,0
65 - 2"1/2	46	78	268	153	148	150	F07	8,6
80 - 3"	46	89	274	159	148	150	F07	9,2
100 - 4"	52	102	293	178	148	150	F07	10,6
125 - 5"	56	117	305	190	148	300	F07	12,4
150 - 6"	56	130	318	203	148	300	F07	13,9
200 - 8"	60	159	430	238	238	300	F10	26,9
250 - 10"	68	190	460	268	238	300	F10	36,9
300 - 12"	78	222	495	306	226	300	F10	47,3

### STANDARDS

Face to face according to standard NF EN 558-1 serie 20, ISO 5752 serie 20, DIN 3202.

Mounting between flanges PN10 / PN16 : according to EN 1092-2, BS450, ANSI B16.1-5.

Adjustable between flanges ASA 150.

### WORKING CONDITIONS

Maximum working pressure : 16 bar.

Maximum temperature : -15°C / +130°C.

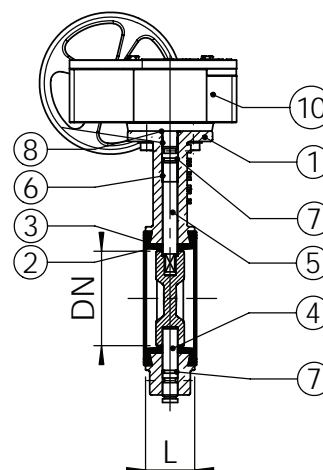
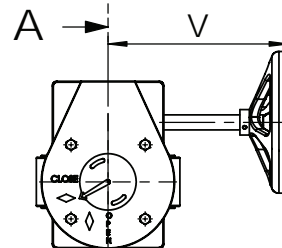
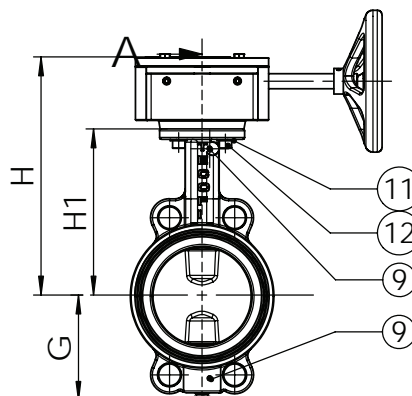
Peak temperature : -30°C / +150°C.

Pressure test according to standards

EN 12266-1, DIN 3230, BS 6755 and ISO 5208 :

Body : 24 bar.

Seat : 17,6 bar.



5, impasse Pascal - Z.I. - BP 177 - 69686 CHASSIEU Cedex - FRANCE

Tél. +33 (0) 4 72 79 05 79 - Fax +33 (0) 4 78 90 19 19 / +33 (0) 4 72 79 05 70

E-mail : tecofi@tecofi.fr - Service commercial / Sales dep. : sales@tecofi.fr - www.tecofi.fr