

Ref. : VG 6400-01.pas

Rev. : Initial

Date : 08/10/08

Page : 1/2

KNIFE GATE VALVE WITH CHAIN HANDWHEEL STAINLESS STEEL BODY

VG 6400-01



ROBINETTERIE INDUSTRIELLE ET ACCESSOIRES
INDUSTRIAL VALVES AND ACCESSORIES

APPLICATION

General use : Pulp production, water, water treatment, waste water, chemical industry (powdery or crystallizing products), wine-producing, pulverized products (cement work, pneumatic transport, stocking).

GENERAL CHARACTERISTICS

Range : from DN 50 up to DN 600.
Function ON/OFF or regulation.
Wafer threaded mounting ISO PN10.
Unidirectional tightness, direction indication thanks to the arrow on the body.
Small retention zone: the gate is guided in the body and has little clearance.
Gland assembly: packing and O-ring (same material as seat joint) to assure the elasticity and decrease the operating torque.
Small head loss.
Possibility to regulate thick fluids the adaptation of a diaphragm ring .



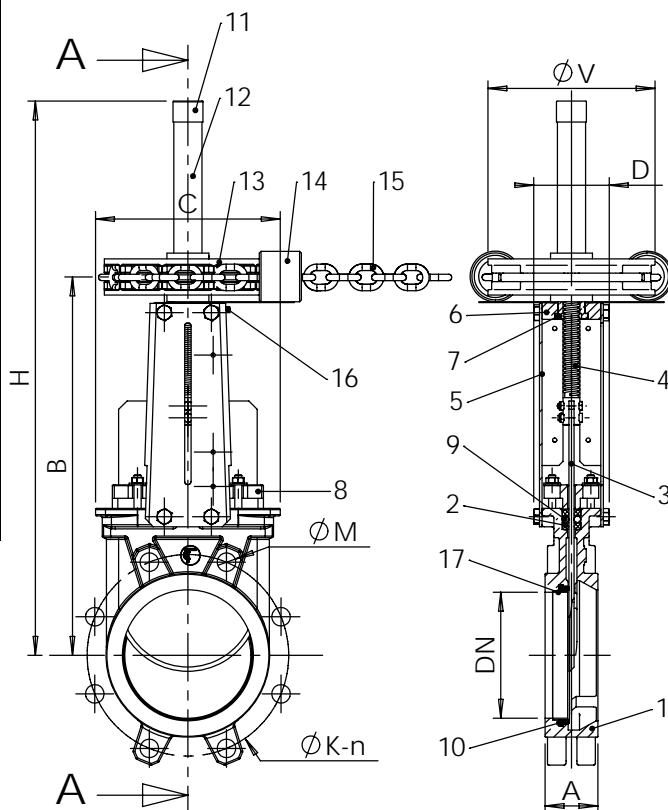
CONSTRUCTION

17**	1	Support Ring	Stainless steel 316	DIN: X5CrNi18 10 ASTM: A 182 AISI 304 BS: 1449-2 304 S15
16	1	Greaser	Stainless steel	
15	1	Chain	Zinc steel	
14	1	Chain guide	Stainless steel	
13	1	Volant à chaîne	Cast iron	
12	1	Protection tube	Steel	
11	1	Cap	Plastic	
10**	1	Gasket	EPDM	
9	1	O-ring	EPDM	
8	1	Packing gland	Stainless Steel	
7	1	Nut	Bronze	
6	1	Nut support	Zinc steel	
5*	2	Support plate	Steel + epoxy	
4	1	Stem	Stainless steel 13% Cr	
3	1	Knife gate	Stainless steel X5CrNiMo 17-12-2	DIN: X5CrNiMo18 10 ASTM: A 182 AISI 316 BS: 970 316 S16
2	2	Packing	PTFE	
1	1	Body	Stainless steel GX5CrNiMo 19-11-2	DIN: G-X6CrNiMo18 10 ASTM: A 351 Grade CF8M BS: 1504 316 C16
Pos.	Qty.	Description	Material	

* Pre-shaped parts up to DN300.
** Missing parts on metal-metal tightness.

DIMENSIONS

DN		A	B	C	D	Ø V	H	Ø K	n	Ø M	Weight (kg)
mm	inch										
50	2"	40	266	124	83	200	371	125	4	4-M16	11,5
65	2 1/2"	40	291	139	83	200	411	145	4	4-M16	12,8
80	3"	50	316	154	83	200	436	160	8	4-M16	13,4
100	4"	50	361	174	83	200	511	180	8	4-M16	15,5
125	5"	50	399	189	93	200	584	210	8	4-M16	19,4
150	6"	60	450	220	93	200	655	240	8	4-M20	22,5
200	8"	60	564	275	108	250	834	295	8	4-M20	41,8
250	10"	70	656	326	108	250	971	350	12	8-M20	54,0
300	12"	70	768	380	108	300	1153	400	12	8-M20	72,0
350	14"	96	871	438	290	300	1306	460	16	10-M20	131,0
400	16"	100	981	494	290	300	1497	515	16	10-M24	162,0
450	18"	106	1076	547	290	300	1611	565	20	14-M24	198,0
500	20"	110	1186	613	290	400	1833	620	20	14-M24	217,0
600	24"	110	1386	716	290	400	2084	725	20	14-M27	304,0



Ref. : VG 6400-01.pas

Rev. : Initial

Date : 08/10/08

Page : 2/2

KNIFE GATE VALVE WITH CHAIN HANDWHEEL STAINLESS STEEL BODY

VG 6400-01



ROBINETTERIE INDUSTRIELLE ET ACCESSOIRES
INDUSTRIAL VALVES AND ACCESSORIES

WORKING CONDITIONS

Maximum working pressure :

DN 50-250 : 10 bar.

DN 300-450 : 7 bar.

DN 500-600 : 4 bar.

Maximum temperature :

-20°C / +130°C (Standard tightness)

Others materials on request (If marked)	Maximum temperature	
Metal / metal	T max : -10°C / +200°C.	<input type="checkbox"/>
NBR	T max : -10°C / +80°C.	<input type="checkbox"/>
White EPDM	T max : -20°C / +130°C.	<input type="checkbox"/>
Silicone	T max : -20°C / +170°C.	<input type="checkbox"/>
FPM (Type Viton®)	T max : -10°C / +170°C.	<input type="checkbox"/>
PTFE	T max : +4°C / +170°C.	<input type="checkbox"/>
CSM (Type Hypalon®)	T max : +4°C / +80°C.	<input type="checkbox"/>



Standard tightness



Metal/metal tightness

STANDARDS

Manufacture according to the requirements of the European directive 97/23/CE «Equipments under pressure» : fluids category III modulate H.

Test procedures are established according to standard EN 12266-1, DIN 3230, BS 5154 and ISO 5208

Connections according to standard EN 1092-2 and DIN 2501 : ISO PN10.