

Ref. : VOC4251-00.pas

Rev. : Initial

Date : 08/10/2008

Page : 1/1

RESILIENT SEAT GATE VALVE PN25 SHORT PATTERN

VOC 4251-00



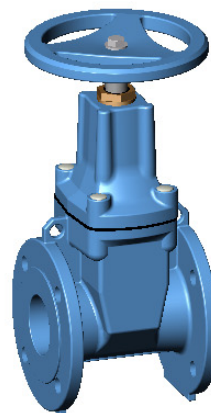
ROBINETTERIE INDUSTRIELLE ET ACCESSOIRES
INDUSTRIAL VALVES AND ACCESSORIES

APPLICATION

General use : Water supply, fire protection, irrigation, water treatment

GENERAL CHARACTERISTICS

- Design in accordance to standard NF EN 1171.
- Range : from DN 40 to DN 400 in standard, contact us for other dimensions.
- Non rising stem.
- Clockwise to close or anti clockwise to close.
- No zones of retention.
- Low head losses.
- Bonnet with easy adaptation for actuator.
- Protection with paraffin on bolts.



CONSTRUCTION

| | | | | |
|------|------|-----------------|-------------------------------|---|
| 15 | 4 | Screw caps | Paraffin | |
| 14 | 4 | Screw | Stainless steel | |
| 13 | 1 | Bottom shield | EPDM | |
| 12 | 2 | O-ring stem | EPDM | |
| 11 | 1 | Seal o-ring | EPDM | |
| 10 | 1 | Bonnet gasket | EPDM | |
| 9 | 1 | Top cork | Brass | |
| 8 | 1 | Splindle washer | Nylon | |
| 7 | 1 | Splindle nut | Brass | |
| 6 | 1 | Wedge seat | Brass | |
| 5 | 1 | Stem | Stainless steel 416 | |
| 4 | 1 | Handwheel | Ductile iron EN-GJS-400-15 | DIN : GGG 40 ASTM : A536 65-45-12 BS : EN 1563 EN-JS 1030 |
| 3 | 1 | Wedge | Ductile iron EN-GJS-400-15 | DIN : GGG 40 ASTM : A536 65-45-12 BS : EN 1563 EN-JS 1030 |
| 2 | 1 | Bonnet | Ductile iron EN-GJS-400-15 | DIN : GGG 40 ASTM : A536 65-45-12 BS : EN 1563 EN-JS 1030 |
| 1 | 1 | Body | Ductile iron EN-GJS-400-15 | DIN : GGG 40 ASTM : A536 65-45-12 BS : EN 1563 EN-JS 1030 |
| Pos. | Qty. | Description | Material | |

DIMENSIONS

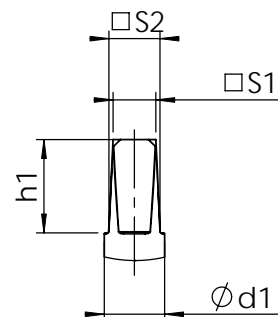
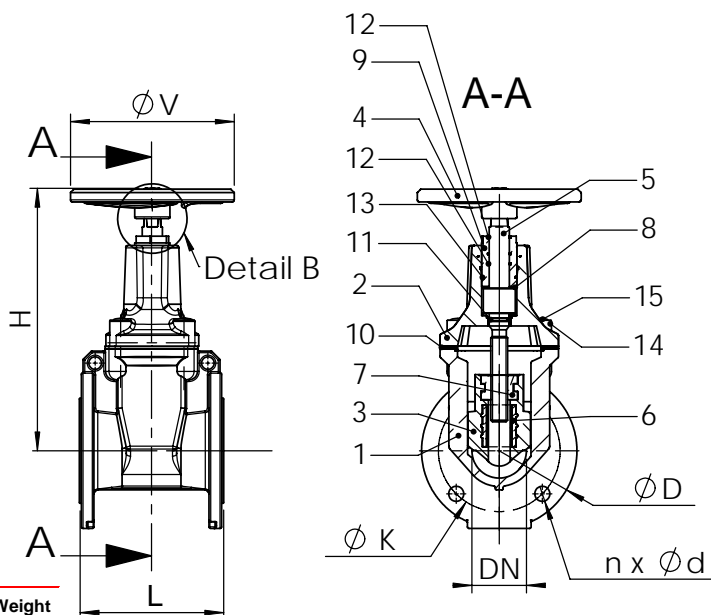
| DN | | L | H | Ø V | Ø D | Ø K | n x Ø d | Ø d1 | S1 | S2 | h1 | Weight (kg) |
|-----|--------|-----|-----|-----|-----|-----|----------|------|------|------|----|-------------|
| mm | inch | | | | | | | | | | | |
| 40 | 1" 1/2 | 140 | 254 | 200 | 150 | 110 | 4 x Ø18 | 20 | 14,0 | 17,0 | 29 | 12,3 |
| 50 | 2" | 150 | 265 | 200 | 165 | 125 | 4 x Ø18 | 20 | 14,0 | 17,0 | 29 | 13,3 |
| 65 | 2" 1/2 | 170 | 305 | 240 | 185 | 145 | 8 x Ø18 | 24 | 17,3 | 20,5 | 31 | 17,5 |
| 80 | 3" | 180 | 345 | 240 | 200 | 160 | 8 x Ø18 | 24 | 17,3 | 20,5 | 31 | 21,0 |
| 100 | 4" | 190 | 366 | 280 | 235 | 190 | 8 x Ø23 | 26 | 19,3 | 23,0 | 38 | 29,2 |
| 125 | 5" | 200 | 405 | 320 | 270 | 220 | 8 x Ø27 | 26 | 19,5 | 23,0 | 38 | 37,5 |
| 150 | 6" | 210 | 461 | 320 | 300 | 250 | 8 x Ø27 | 32 | 19,0 | 23,0 | 38 | 48,2 |
| 200 | 8" | 230 | 536 | 360 | 360 | 310 | 12x Ø27 | 32 | 24,0 | 28,5 | 42 | 73,6 |
| 250 | 10" | 250 | 643 | 450 | 425 | 370 | 12 x Ø30 | 36 | 27,5 | 31,5 | 45 | 104,5 |
| 300 | 12" | 270 | 718 | 500 | 485 | 430 | 16 x Ø30 | 36 | 27,5 | 31,5 | 45 | 135,3 |
| 350 | 14" | 290 | 805 | 500 | 555 | 490 | 16 x Ø33 | 36 | 27,5 | 31,5 | 45 | 185,5 |
| 400 | 16" | 310 | 877 | 600 | 620 | 550 | 16 x Ø36 | 36 | 27,5 | 31,5 | 45 | 299,1 |

WORKING CONDITIONS

Maximum working pressure : 25 bar.
Maximum temperature : -10°C / +130°C.

STANDARDS

Test procedures are established according to standard NF EN 12266-1, NF EN 12266-2, DIN 3230, ISO 5208.
Face to face according to standard EN 558-1 serie 14 and DIN 3202 / F4 (short pattern).
Connections according to standard EN 1092-2 ISO PN 25.



Detail B (Stem) :
Mounting interface