

Ref. : DI 724116.pas

Rev. : A

Date : 26/01/2011

Page : 1/1

# RUBBER EXPANSION JOINT WITH SWIVEL FLANGES PN16 AND CONTROL RODS DI 724116



ROBINETTERIE INDUSTRIELLE ET ACCESSOIRES  
INDUSTRIAL VALVES AND ACCESSORIES

## APPLICATION

- General use : connecting pipes.

## GENERAL CHARACTERISTICS

- From DN 350 to DN 600.
- Angular movement 7°.
- Rotary flanges.
- Galvanised steel flanges PN16.

## CONSTRUCTION

5	2/3/4	Control rod	Galvanised steel
4	2	Flange	Zinc-plated steel
3	2	Reinforced wire	Steel
2	1	reinforcement	Nylon tyre cord
1	1	Bellow	EPDM
<b>Pos.</b>	<b>Qty.</b>	<b>Description</b>	<b>Material</b>

## WORKING CONDITIONS

PS max : 16 bar

TS max : -10°C / +115°C

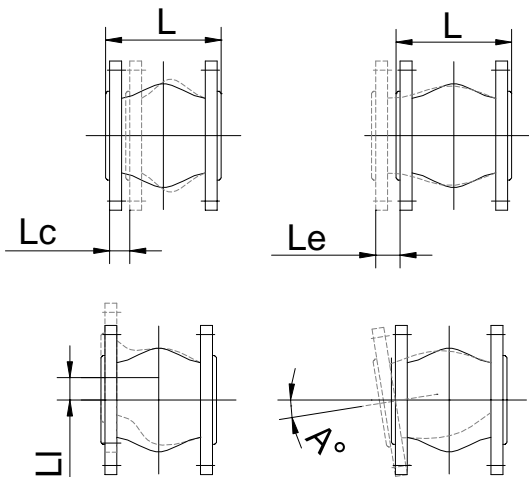
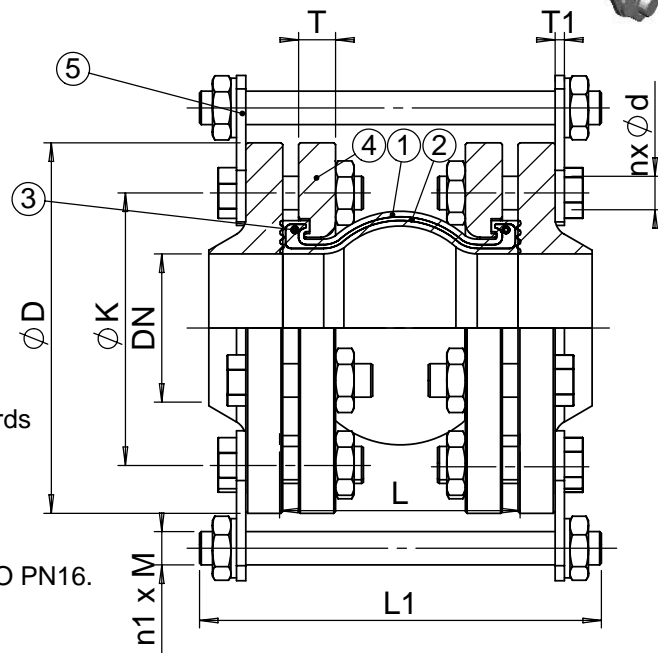
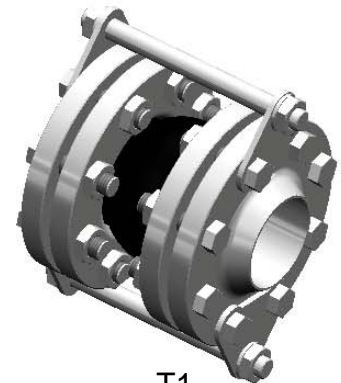
Test procedures are established according to standards EN 12266-1, DIN 3230, BS 6755 and ISO 5208.

## STANDARDS

Flanges drilled according to standard EN 1092-1 : ISO PN16.

## DIMENSIONS

DN		L	L1	ØK	n x Ød	ØD	T	T1	n1xM	Lc	Le	Li	A°	Weight (kg)
mm	inch													
350	14"	265	490	470	16 x Ø27	520	27	30	4 x M30	13	8	11	7	61,0
400	16"	265	510	525	16 x Ø30	580	29	30	4 x M30	13	8	11	7	77,0
450	18"	265	530	585	20 x Ø30	640	31	30	5 x M30	13	8	11	7	91,0
500	20"	265	530	650	20 x Ø33	715	31	30	5 x M33	13	8	11	7	110,0
600	24"	265	550	770	20 x Ø37	840	31	30	5 x M33	13	8	11	7	150,0



Lc : Axial compression.  
Le : Axial extension.  
Ll : Lateral movement.

Parc Technoland - 2 Allée du Lazio - 69800 Saint Priest - FRANCE  
Tél. +33 (0) 4 72 79 05 79 - Fax +33 (0) 4 78 90 19 19 / +33 (0) 4 72 79 05 70  
E-mail : tecofi@tecofi.fr - Service commercial / Sales dep. : sales@tecofi.fr - www.tecofi.fr