

# FLANGED BALL CHECK VALVE

## CBL 3240



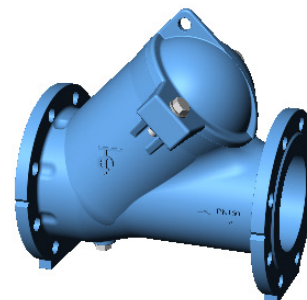
ROBINETTERIE INDUSTRIELLE ET ACCESSOIRES  
INDUSTRIAL VALVES AND ACCESSORIES

### APPLICATION

General uses: waste water, sticky fluids, raising water (purification, water treatment, pumping...)

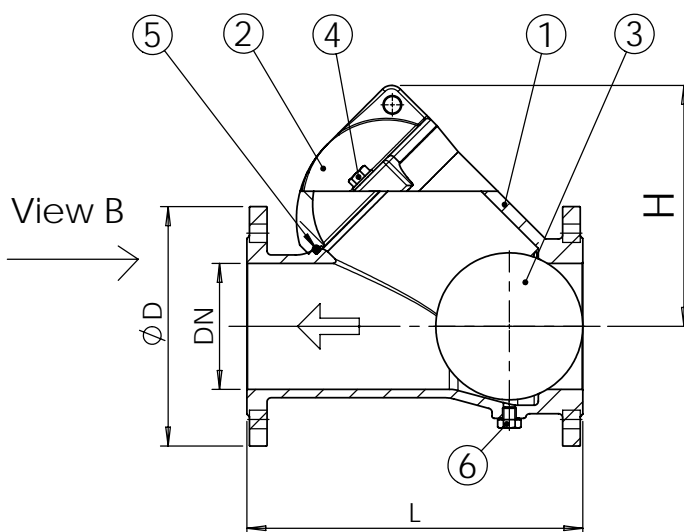
### GENERAL CHARACTERISTICS

Design in accordance with standard NF EN 12334.  
Range: From DN 40 to DN 500.  
Tight and working in horizontal or vertical position.  
Low head loss.  
Full bore thanks to the moving of the ball.  
Floating self-cleaning ball.  
Lifting hook in the cover for easy handling.  
Easy and quick disassembling cover.  
Cap allowing the takeoff of the ball.  
Body: oven baked epoxy 150 µm, RAL 5019.



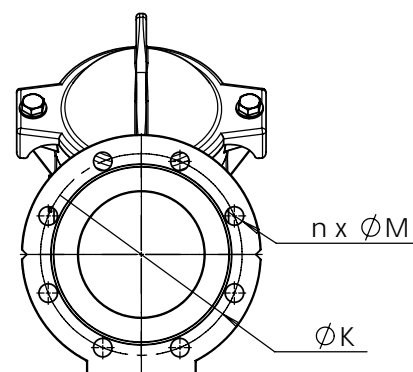
### CONSTRUCTION

6	1	Degassing plug	Stainless steel	Only for DN 40-300
5	1	Gasket	Nitril	
4	2/4	Nut	Stainless steel	
3	1	Ball	Nitril coated steel	
2	1	Bonnet	Ductile iron EN-GJS-400-15	DIN: GGG 40 ASTM: A536 65-45-12 BS: 1563 EN-JS1030
1	1	Body	Ductile iron EN-GJS-400-15	DIN: GGG 40 ASTM: A536 65-45-12 BS: 1563 EN-JS1030
Rep.	Nb.	Description	Material	



### DIMENSIONS

DN		L	H	Ø D	Ø K	n x Ø M	O Ring Ø int. x Ø torus	Minimum pressure opening (mbar)	Weight (kg)
mm	inch								
40	1 1/2	180	113	150	110	4 x Ø19	Ø59,7 x Ø5,3	6,9	6,32
50	2	200	145	165	125	4 x Ø18,5	Ø68,4 x Ø5,3	12,6	9,26
65	2 1/2	240	169	185	145	4 x Ø18,5	Ø105,4 x Ø5,3	20,5	15,1
80	3	260	169	200	160	8 x Ø18,5	Ø105,4 x Ø5,3	12,0	15,82
100	4	300	211	220	180	8 x Ø18	Ø133,6 x Ø5,7	16,0	24,46
125	5	350	275	250	210	8 x Ø18	Ø188,6 x Ø5,7	41,6	38
150	6	400	294	285	240	8 x Ø22	Ø188,6 x Ø5,7	25,7	48
200	8	500	395	340	295	8 x Ø22	Ø257,8 x Ø8,6	26,7	90
250	10	600	482	400	350	12 x Ø22	Ø317,8 x Ø8,6	32,5	145
300	12	700	573	455	400	12 x Ø22	Ø382,8 x Ø8,6	35,7	230
350	14	800	580	505	460	16 x Ø23	-	54,2	290
400	16	900	730	565	515	16 x Ø26	-	64,0	450
500	18	1100	1200	670	620	20 x Ø26	-	-	672



Following view B

### WORKING CONDITIONS

Maximum working pressure: 10 bar.  
Maximum temperature: -10°C / +80°C.  
Warning: On request for low load.

Pressure test according to standards  
EN 12266-1, DIN 3230, BS 6755 and ISO 5208 :  
Body : 15 bar.  
Seat : 11 bar.

### STANDARDS

Manufacture according to the requirements of the European directive 97/23/CE «Equipment under pressure»: fluids category III modulate H. (DN 40-300)  
Face to face according to standards NF EN 558-1 serie 48, DIN 3202/1 serie F6. Standard mounting flanges according to EN 1092-2 ISO PN 10, PN 16 and ASA 150 lbs on request.

