

Ref. : VP 3448-08.pas

Rev. : Initial

Date : 24/01/07

Page : 1/1

# BUTTERFLY VALVE WITH GEAR BOX

## VP 3448-08



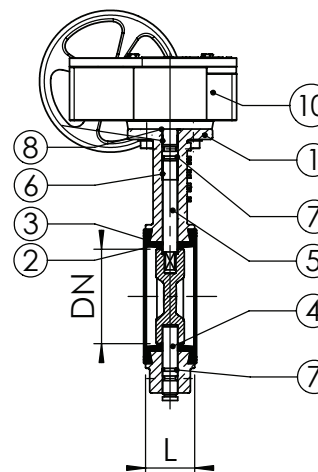
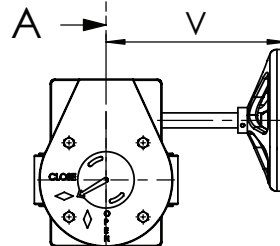
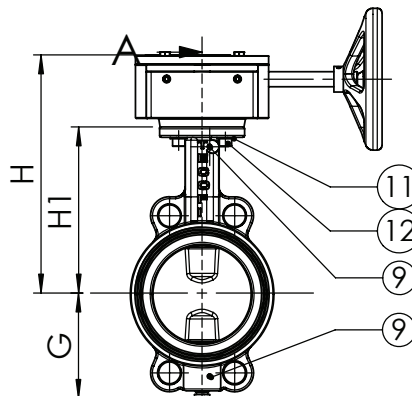
ROBINETTERIE INDUSTRIELLE ET ACCESSOIRES  
INDUSTRIAL VALVES AND ACCESSORIES

### APPLICATION

General use : Water, air, acids etc.

### GENERAL CHARACTERISTICS

Design in accordance with NF EN 593.  
TECFLY type with lugs enabling use on bottom line.  
Tightness in both ways.  
Two kinds of sleeves:  
- Body in dovetail shape ensures a perfect assembling (for high vacuum we can stick it)  
- Internally reinforced resin sleeve giving a lower torque  
Stem: high and low semi stem giving a high flow coefficient.  
Machined disc with on periphery giving a low and regular torque.  
Stem unjectable, bearing: stainless steel teflon lined.  
Dovetail type sleeve, accordind to ISO 5211.



### CONSTRUCTION

12	4	Screw CHC	Stainless steel A2	
11	4	Washer	Stainless steel A2	
10	1	Gear box	Cast iron	
9	2	Split pin	Sainless steel	
8	1	Gasket	NBR	
7	2	O-ring	NBR	
6	2	Guiding bearing	Teflon-lined	
5	1	Upper stem	Stainless steel 416	DIN: 1.4005 ASTM: AISI 416 BS: 416 S21
4	1	Lower stem	Stainless steel 416	DIN: 1.4005 ASTM: AISI 416 BS: 416 S21
3	1	Sleeve	Heat EPDM	
2	1	Disc	Ductile iron EN-GJS-400-15	DIN: GGG 40 ASTM: A536 65-45-12 BS: 1563 EN-JS1030
1	1	Body	Cast iron EN-GJL-250	DIN: GG25 ASTM: A48 class 40B BS: 1452 Grade 250
Pos.	Qty.	Description	Material	

### DIMENSIONS

DN	L	G	H	H1	V	ØP	TYPE	Weight (kg)
40 - 1"1/2	33	66	249	134	148	150	F07	7,4
50 - 2"	43	72	255	140	148	150	F07	8,0
65 - 2"1/2	46	78	268	153	148	150	F07	8,6
80 - 3"	46	89	274	159	148	150	F07	9,2
100 - 4"	52	102	293	178	148	150	F07	10,6
125 - 5"	56	117	305	190	148	300	F07	12,4
150 - 6"	56	130	318	203	148	300	F07	13,9
200 - 8"	60	159	430	238	238	300	F10	26,9
250 - 10"	68	190	460	268	238	300	F10	36,9
300 - 12"	78	222	495	306	226	300	F10	47,3

### STANDARDS

Manufacture according to the requirements of the European directive 97/23/CE «Equipments under pressure» : fluids category III modulate H.  
Face to face according to standard NF EN 558-1 serie 20, ISO 5752 serie 20, DIN 3202.  
Mounting between flanges PN10 / PN16 : according to EN 1092-2, BS450, ANSI B16.1-5.  
Adjustable between flanges ASA 150.  
PN20 on request with ductile iron body.

### WORKING CONDITIONS

Maximum working pressure : 16 bar.  
Maximum temperature : -15°C / +130°C.  
Peak temperature : -30°C / +150°C.

Pressure test according to standards EN 12266-1, DIN 3230, BS 6755 and ISO 5208 :  
Body : 24 bar.  
Seat : 17,6 bar.

5, impasse Pascal - Z.I. - BP 177 - 69686 CHASSIEU Cedex - FRANCE  
Tél. +33 (0) 4 72 79 05 79 - Fax +33 (0) 4 78 90 19 19 / +33 (0) 4 72 79 05 70  
E-mail : tecofi@tecofi.fr - Service commercial / Sales dep. : sales@tecofi.fr - www.tecofi.fr