

Ref. : BS 5440.pas

Rev. : Initial

Date : 31/10/07

Page : 1/1

# BALL VALVE FULL BORE WAFER TYPE

## BS 5440



ROBINETTERIE INDUSTRIELLE ET ACCESSOIRES  
INDUSTRIAL VALVES AND ACCESSORIES

### APPLICATION

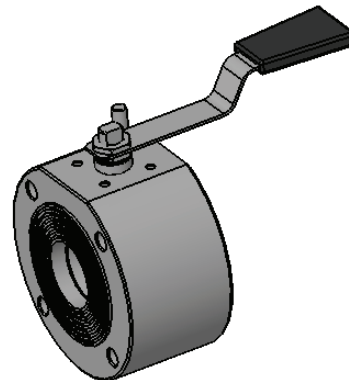
- General use : fluids group 1.

### GENERAL CHARACTERISTICS

- From DN 10 to DN 200.
- Full bore.
- Platinum ISO 5211.
- Mounting between flanges.
- Fixing holes threaded.
- Antistatic device.

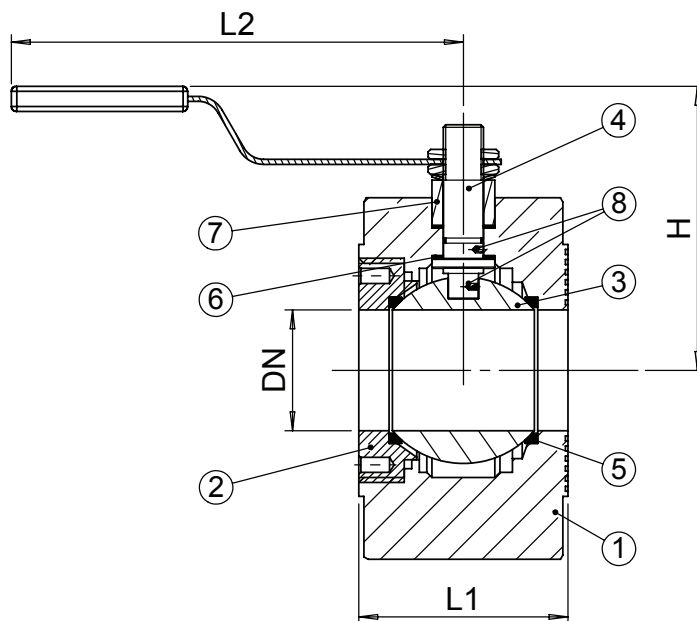
### CONSTRUCTION

8	2	Antistatic contact	Stainless steel 304	
7	1	Packing flanged	Zinc	
6	1	Stem gasket	PTFE	
5	2	Seat	PTFE	
4	1	Stem	Steel	
3	1	Ball	Stainless steel 304	DIN: G-X6CrNi18 9 BS: Grade CF8 304 C15
2	1	Cover	Steel	DIN: GS-C25 ASTM: A216 Grade WCA BS: 161 Grade B
1	1	Body	Steel	DIN: GS-C25 ASTM: A216 Grade WCA BS: 161 Grade B
<b>Pos.</b>	<b>Qty.</b>	<b>Description</b>	<b>Material</b>	



### DIMENSIONS

DN		L1	H	L2	Poids (kg)
mm	inch				
10	3/8"	36	64	145	1,5
15	1/2"	36	64	145	1,5
20	3/4"	39	66	145	2,0
25	1"	43	85	180	2,7
32	1"1/4	51	90	180	4,0
40	1"1/2	63	118	275	6,5
50	2"	83	128	275	10,0
65	2"1/2	107	139	380	17,0
80	3"	120	144	380	20,5
100	4"	152	200	440	33,5
125	5"	180	212	440	48,0
150	6"	240	265	800	69,0
200	8"	314	320	800	132,0



### WORKING CONDITIONS

PS max : 16 bar  
T max : + 180 °C

Test procedures are established according to standards  
EN 12266-1, DIN 3230, BS 6755 and ISO 5208 :  
Body : 24 bar.

### STANDARDS

Flanges drilled according to EN 1092-1 and DIN 2501:  
- DN 10-150 : PN 10/16  
- DN 200 : PN 10