

Ref. : BS 1154.pas

Rev. : Initial

Date : 18/08/2009

Page : 1/1

BALL VALVE HIGHT PRESSURE TYPE

BS 1154



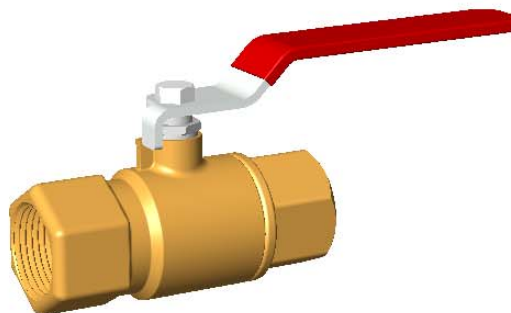
ROBINETTERIE INDUSTRIELLE ET ACCESSOIRES
INDUSTRIAL VALVES AND ACCESSORIES

APPLICATION

General use : for all kind of fluids.

GENERAL CHARACTERISTICS

From DN 1/8" to DN 4".
Full passage.
Sealing of the axis by packing flanged.
Flat handle.
Heavy model - Long filets.

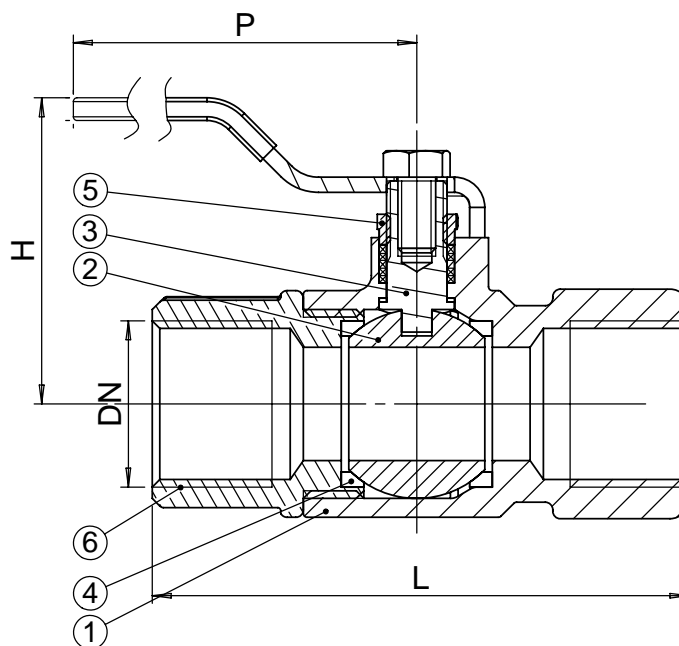


CONSTRUCTION

6	1	Mobil body	Brass	DIN: CuZn39Pb2 ASTM: C37700 BS: CZ121
5	1	Packing flanged	PTFE	
4	2	Seat	PTFE	
3	1	Stem	Brass	
2	1	Ball	Brass	DIN: CuZn39Pb2 ASTM: C37700 BS: CZ121
1	1	Internal body	Brass	DIN: CuZn39Pb2 ASTM: C37700 BS: CZ121
Pos.	Qty.	Description	Material	

DIMENSIONS

DN		L	H	P	Weight (kg)
mm	inch				
5	1/8"	37,7	35	60	0,11
8	1/4"	46,5	40,5	80	0,15
12	3/8"	46,5	40,5	80	0,16
15	1/2"	62	53,5	90	0,27
20	3/4"	71	57,5	90	0,37
25	1"	81,5	66,5	125	0,61
32	1"1/4	92	72	125	0,88
40	1"1/2	102	83,5	150	1,34
50	2"	126	90	150	1,98
65	2"1/2	138	116	203	3,10
80	3"	162	132	280	4,89
100	4"	181	150	280	8,00



WORKING CONDITIONS

T max : +120 °C

PS max : DN 1/8"-1" : 40 bar
 DN 1"1/4-1"1/2 : 32 bar
 DN 2" : 25 bar
 DN 2"1/2-4" : 16 bar

STANDARDS

BSP threaded according to standard ISO 228-1.