

Ref. : VP 364816-02.pas  
 Rev. : Initial  
 Date : 09/07/07  
 Page : 1/1

# THREADED LUGS BUTTERFLY VALVE WITH HANDLE

VP 364816-02



ROBINETTERIE INDUSTRIELLE ET ACCESSOIRES  
 INDUSTRIAL VALVES AND ACCESSORIES

## APPLICATION

General use: water, air, acids etc.

## GENERAL CHARACTERISTICS

Tightness in both ways. NF EN 12266-1, ISO 5208, DIN 3230.

Two kinds of sleeves:

- body in dovetail shape ensures a perfect assembling (for high vacuum we can stick it),
- Internally reinforced resin sleeve giving a lower torque.

Stem: high and low semi stem giving a high flow coefficient.

Machined disc on periphery giving a low and regular torque.

Stem unejectable. Bearing: stainless steel teflon lined.

Dovetail type sleeve, according to ISO 5211.

Lever: ductile iron, very resistant: notched, locked notch, regulating option. It's easy to change the locked notched type into a regulating lever, without disassembling.

## CONSTRUCTION

15	1	Screw	Stainless steel A2	
14	2	Nut	Stainless steel A2	
13	2	Spring washer	Stainless steel A2	
12	2	Screw FHC	Stainless steel A2	
11	1	Handle	Ductile iron	
10	1	Notched indicator	Aluminium	
9	2	Split pin	Stainless steel	
8	1	Gasket	NBR	
7	2	O-Ring	NBR	
6	2	Guiding bearing	Teflon-lined	
5	1	Upper stem	Stainless steel 416	DIN: 1.4005 ASTM: AISI 416 BS: 416 S 21
4	1	Lower stem	Stainless steel 416	DIN: 1.4005 ASTM: AISI 416 BS: 416 S 21
3	1	Sleeve	Heat EPDM	
2	1	Disc	Ductile iron EN-GJS-400-15	DIN: GGG 40 ASTM: A536 65-45-12 BS: 1563 EN-JS1030
1	1	Body	Cast iron EN-GJL-250	DIN: GG25 ASTM: A48 Class 40B BS: 1452 Grade 250
Pos.	Qty.	Description	Material	

## DIMENSIONS

DN	L	G	H	H1	Ø T	n	Ø M	V	TYPE	Weight (kg)
DN 40 - 1" 1/2	33	66	184	134	110	4	M 16	180	F07	4,0
DN 50 - 2"	43	72	190	140	125	4	M 16	180	F07	4,6
DN 65 - 2.5"	46	78	203	153	145	4	M 16	180	F07	5,6
DN 80 - 3"	46	89	209	159	160	8	M 16	180	F07	6,6
DN 100 - 4"	52	102	228	178	180	8	M 16	220	F07	8,1
DN 125 - 5"	56	117	240	190	210	8	M 16	220	F07	10,4
DN 150 - 6"	56	130	253	203	240	8	M 20	220	F07	12,7
DN 200 - 8"	60	159	288	238	295	12	M 20	318	F10	20,2
DN 250 - 10"	68	190	318	268	355	12	M 24	318	F10	32,3
DN 300 - 12"	78	222	356	306	410	12	M 24	318	F10	44,7

## STANDARDS

Manufacture according to the requirements of the European directive 97/23/CE «Equipment under pressure»: fluids category III modulate H.

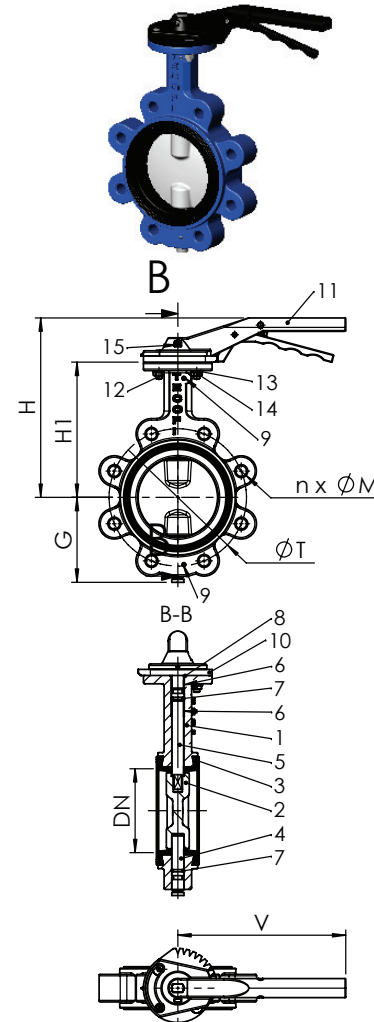
Face to face according to standards :

NF EN 558-1 serie 20, ISO 5752 serie 20, DIN 3202.

Mounting standard between flanges PN 16.

On request: between flanges ASA 150.

PN20 on request with ductile iron body.



## WORKING CONDITIONS

Maximum working pressure : 16 bar.

Maximum temperature : -15°C / +130°C.

Peak temperature : -30°C / +150°C.

Pressure test according to standards

EN 12266-1, DIN 3230, BS 6755 and ISO 5208 :

Body : 24 bar.

Seat : 17,6 bar.