

Ref. : VP 3649-07.pas

Rev. : Initial

Date : 15/07/08

Page : 1/1

THREADED LUGS BUTTERFLY VALVE WITH SIMPLE ACTING PNEUMATIC ACTUATOR

VP 3649-07



ROBINETTERIE INDUSTRIELLE ET ACCESSOIRES
INDUSTRIAL VALVES AND ACCESSORIES

APPLICATION

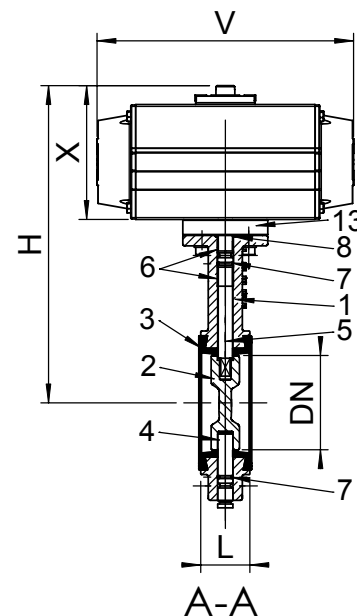
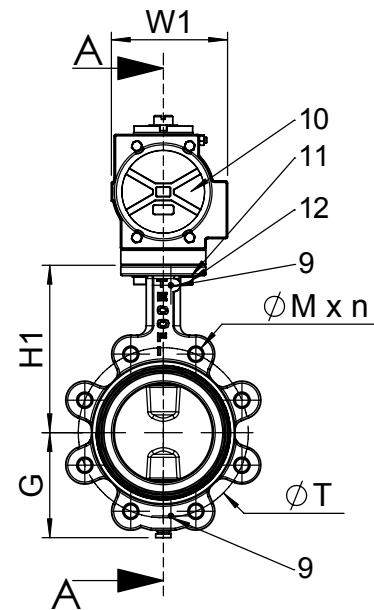
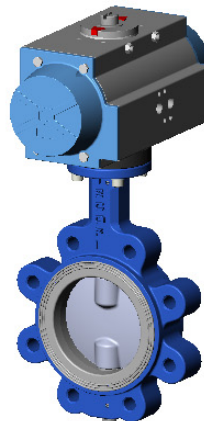
General use : Water, air, acids etc.

GENERAL CHARACTERISTICS

Design in accordance with NF EN 593.
TECFLY LUG: type with threaded lugs allowing screw assembling.
Tightness in both ways.
Sleeve body in dovetail shape ensures a perfect assembling (for high vacuum we can stick it)
Stem: high and low semi stem giving a high flow coefficient.
Machined disc with on periphery giving a low and regular torque.
Stem unjectable, bearing:stainless steel teflon lined.
Dovetail type sleeve, accordind to ISO 5211.

CONSTRUCTION

13	1	Spacer	Aluminium	
12	4	Screw	Stainless steel	
11	4	Washer	Stainless steel	
10	1	Simple acting pneumatic actuator	Anodized aluminium	
9	2	Split pin	Stainless steel	
8	1	Gasket	NBR	
7	2	O-Ring	NBR	
6	2	Guiding bearing	Teflond-lined	
5	1	Upper stem	Stainless steel 420	DIN : 1.4021 ASTM : A 276 AISI 420 BS : 420 S 37
4	1	Lower stem	Stainless steel 420	DIN : 1.4021 ASTM : A 276 AISI 420 BS : 420 S 37
3	1	Sleeve	Heat EPDM	En standard
2	1	Disc	GX5 Cr Ni Mo 19-11-2	DIN : G-X6CrNiMo18 10 ASTM : A 351 Grade CF8M BS : 1504 316 C16
1	1	Body	Cast iron EN-GJL-250	DIN : GG25 ASTM : A48 class 40B BS : 1452 Grade 250
Pos.	Qty.	Description	Material	



DIMENSIONS

DN	REF *	H	H1	G	L	Ø T	n	Ø M	V	W1	X	TYPE	Weight (kg)
40 - 1" 1/2	SR. 63	250,5	133	66	33	110	4	M 16	162	81	101	F07	4,9
50 - 2"		257,5	140	71	43	125	4	M 16	162	81	101	F07	5,9
65 - 2" 1/2	SR. 85	298,5	153	78	46	145	4	M 16	162	81	101	F07	9,3
80 - 3"	SR. 100	317,5	159	89	46	160	8	M 16	162	81	101	F07	12,5
100 - 4"		337,0	178	102	52	180	8	M 16	207	98	117	F07	13,8
125 - 5"	SR. 115	378,5	190	117	56	210	8	M 16	238	106	129	F07	20,2
150 - 6"		391,5	203	130	56	240	8	M 20	272	123	142	F07	22,1
200 - 8"	SR. 160	478	238	159	60	295	8	M 20	328	137	172	F10	48
250 - 10"	SR. 200	607	268	190	68	350	12	M 20	366	148	184	F10	82,1
300 - 12"		645	306	222	78	400	12	M 20	522	187	218	F10	91,2

* Data sheet is according to ΔP 10 bar maxi for air pressure of 6 bar.
(For ΔP 16 bar please contact us)

STANDARDS

Manufacture according to the requirements of the European directive 97/23/CE «Equipments under pressure» : fluids category III modulate H.
Pressure test according to standards
EN 12266-1, DIN 3230, BS 6755 and ISO 5208 :
Body : 24 bar.
Seat : 17,6 bar.

Face to face according to standard NF EN 558-1 serie 20, ISO 5752 serie 20, DIN 3202.

Mounting between flanges PN10 / PN16 up to DN150 and PN10 for upper diameters: according to EN 1092-2, BS450, ANSI B16.1-5.
Adjustable between flanges PN16 and ASA 150 on request.

WORKING CONDITIONS

Maximun working pressure : 16 bar.
Maximun temperature : -15°C / +130°C.
Peak temperature : -30°C / +150°C.