

Ref. : R 6201.pas

Rev. : Initial

Date : 05/06/07

Page : 1/1

GLOBE VALVE STAINLESS STEEL STRAIGHT TYPE PN16

R 6201



ROBINETTERIE INDUSTRIELLE ET ACCESSOIRES
INDUSTRIAL VALVES AND ACCESSORIES

APPLICATION

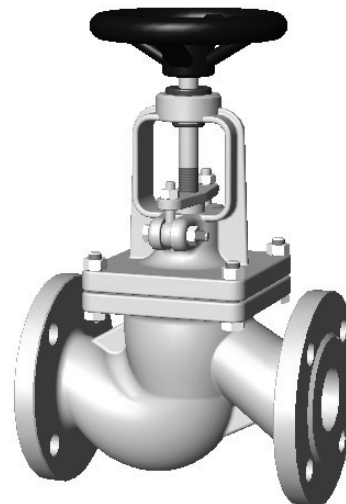
General use : All fluids

GENERAL CHARACTERISTICS

- Range : from DN 15 to DN 250.
- All stainless steel construction.
- Straight type.
- Rising stem.
- Stainless steel seat.

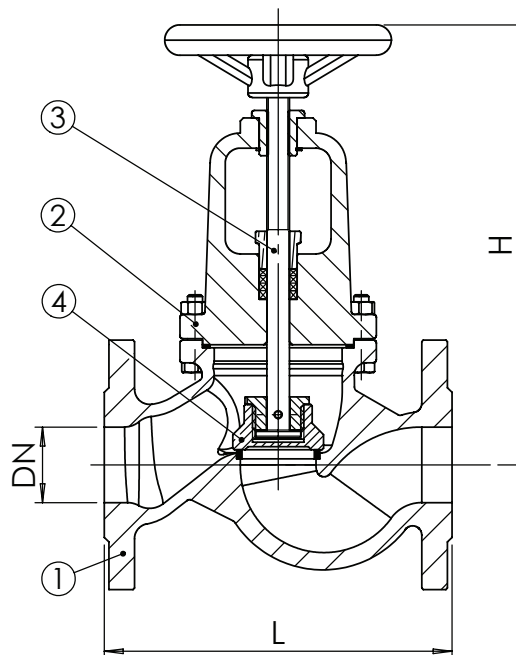
CONSTRUCTION

4	1	Disc	Stainless steel	
3	1	Stem	Stainless steel	
2	1	Bonnet	Stainless steel 316	DIN : G-X6CrNiMo 18 10 ASTM : A351 Grade CF8M BS : 1504 316 C16
1	1	Body	Stainless steel 316	DIN : G-X6CrNiMo 18 10 ASTM : A351 Grade CF8M BS : 1504 316 C16
Pos.	Qty.	Description	Material	



DIMENSIONS

DN		L	H	Weight (kg)
mm	inch			
15	1/2"	130	200	4,5
20	3/4"	150	210	5,5
25	1"	160	225	7,0
32	1"1/4	180	235	9,2
40	1"1/2	200	250	11,3
50	2"	230	265	18,0
65	2"1/2	290	320	22,0
80	3"	310	345	31,0
100	4"	350	395	50,0
125	5"	400	450	65,0
150	6"	480	490	80,0
200	8"	600	545	160
250	10"	730	755	240



WORKING CONDITIONS

PS max : 16 bar (TS max : +120°C)
 14 bar (TS max : +200°C)
 14 bar (TS max : +300°C)

STANDARDS

Test procedures are established according to standard
 EN 12266-1, DIN 3230, BS 5154 et ISO 5208.

body : 24 bar
 Seat : 17.6 bar

Face to face according to standard
 EN 558-1 serie 1 and DIN 3202/F1
 Connections according to standard
 EN 1092-1 et DIN 2501: ISO PN16.

5, impasse Pascal - Z.I. - BP 177 - 69686 CHASSIEU Cedex - FRANCE
 Tél. +33 (0) 4 72 79 05 79 - Fax +33 (0) 4 78 90 19 19 / +33 (0) 4 72 79 05 70
 E-mail : tecofi@tecofi.fr - Service commercial / Sales dep. : sales@tecofi.fr - www.tecofi.fr