

Ref. : BS 1166.pas

Rev. : Initial

Date : 03/11/2008

Page : 1/1

3 WAYS "L" BALL VALVE BS 1166



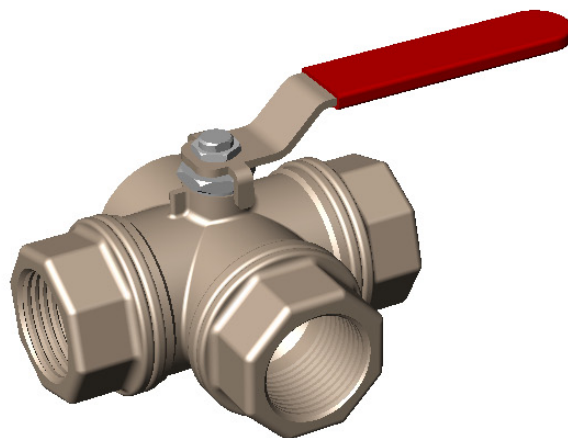
ROBINETTERIE INDUSTRIELLE ET ACCESSOIRES
INDUSTRIAL VALVES AND ACCESSORIES

APPLICATION

General use : for all kind of fluids.

GENERAL CHARACTERISCS

From DN 1/4" to DN 2".
Reduce bore.
3 ways "L".
Sealing of the axis by packing flanged.
Flat handle.

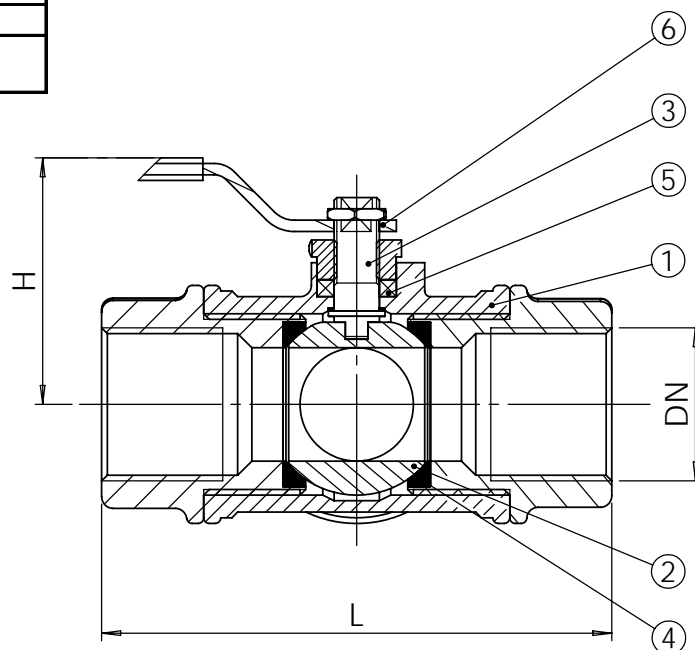


CONSTRUCTION

6	1	Handle	Steel	
5	1	Packing gasket	PTFE	
4	2	Seat	PTFE	
3	1	Stem	Brass	DIN: CuZn36Pb3 ASTM: B16 C36000 BS: 12164 CZ124
2	1	Ball	Brass	
1	1	Body	Brass	
Rep.	Nb.	Désignation	Matière	

DIMENSIONS

DN		L	H	P	A	Weight (kg)
mm	inch					
8	1/4"	81	64	125,5	64,5	0,69
12	3/8"	81	64	125,5	64,5	0,65
15	1/2"	82	64	125,5	65	0,66
20	3/4"	90,5	67	125,5	74	0,86
25	1"	105	72	161	86	1,41
32	1 1/4"	116	78,5	161	94	1,89
40	1 1/2"	140	92	220	116,5	3,61
50	2"	164	98	220	135	5,24



WORKING CONDITIONS

Maximum working pressure : 16 bar.
Maximum differential pressure : 5 bar
Maximum temperature : + 90°C.

AGREMENT AND TESTING

BSP threaded according to standard ISO 228-1.

