

Ref. : BS 6161L.pas

Rev. : Initial

Date : 16/09/08

Page : 1/1

L PORT REDUCED BORE 3 WAYS BALL VALVE

BS 6161L



ROBINETTERIE INDUSTRIELLE ET ACCESSOIRES
INDUSTRIAL VALVES AND ACCESSORIES

APPLICATION

General use : All chemical fluid, liquid steam, gas, etc.

GENERAL CHARACTERISTICS

Range : from DN 1/4" to DN 2"
Stainless steel body, stainless steel ball, PTFE seat.
L port reduce bore
Operating by stainless steel lever with locking devise.

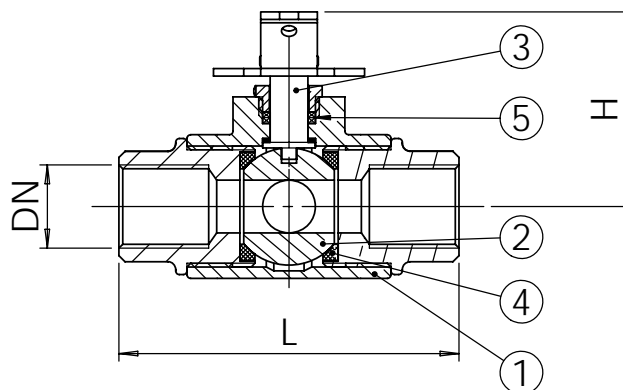
CONSTRUCTION

5	1	Packing	PTFE	
4	2	Seat	PTFE	
3	1	Stem	Stainless steel 316	DIN: X5CrNiMo 18 10 ASTM: A 182 AISI 316 BS: 970 316 S16
2	1	Ball	Stainless steel 316	DIN: X5CrNiMo 18 10 ASTM: A 182 AISI 316 BS: 970 316 S16
1	1	Body	Stainless steel 316	DIN: G-X6CrNiMo 18 10 ASTM: A 351 Grade CF8M BS: 1504 316 C16
Pos.	Qty.	Description	Material	



DIMENSIONS

DN		L	H	P	Weight (kg)
mm	inch				
8	1/4"	74	63	92	0,77
12	3/8"	74	63	92	0,72
15	1/2"	80	71	112	1,08
20	3/4"	89	80	150	1,51
25	1"	105	84	150	2,52
32	1" 1/4"	113	89	150	4,10
40	1" 1/2"	140	91	150	4,60
50	2"	161	117	240	7,50



WORKING CONDITIONS

Maximum working pressure : 40 bar (10 bar steam)
Maximum temperature : -50°C / +140°C.

AGREMENT AND TESTING

BSP threaded according to standard ISO 228-1.

