

Ref. : R 5240.pas

Rev. : Initial

Date : 22/11/2007

Page : 1/1

GLOBE VALVE WITH PARALLEL FLANGES

R 5240



ROBINETTERIE INDUSTRIELLE ET ACCESSOIRES
INDUSTRIAL VALVES AND ACCESSORIES

APPLICATION

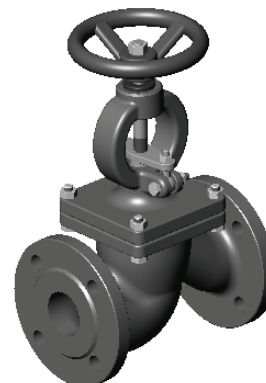
General use : Any types of fluids (water, steam, air, gases, hydrocarbons...).

GENERAL CHARACTERISTICS

- From DN 15 to DN 300.
- Two types : PN 25 and PN40.
- Steel body and bonnet.

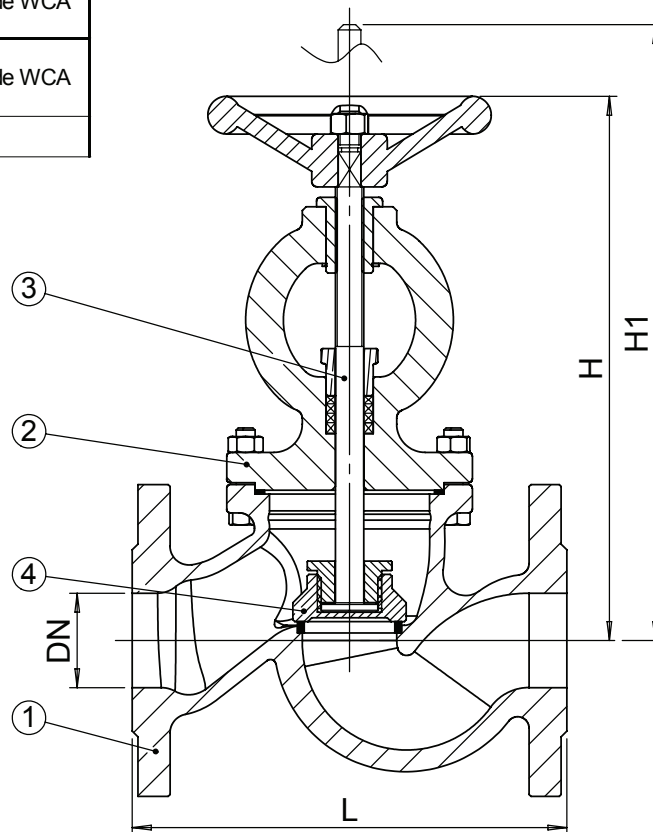
CONSTRUCTION

4	1	Valve	Steel C-25 + X20Cr13	
3	1	Stem	Stainless steel X20Cr13	
2	1	Bonnet	Steel C-25 (DN 15-25) Steel GP240GH (DN 32-150)	DIN: GS-C25 ASTM: A216 Grade WCA BS:161 GradeB
1	1	Body	Steel C-25 (DN15-25) Steel GP240GH (DN 32-150)	DIN: GS-C25 ASTM: A216 Grade WCA BS:161 GradeB
Pos.	Qty.	Description	Material	



DIMENSIONS

PN	DN		L	H	H1	Weight (kg)
	mm	inch				
PN 25/40	15	1/2"	130	190	200	5,0
	20	3/4"	150	195	205	5,5
	25	1"	160	204	217	7,0
	32	1" 1/4	180	228	245	11,0
	40	1" 1/2	200	257	277	14,5
	50	2"	230	270	295	18,0
	65	2" 1/2	290	323	356	29,5
	80	3"	310	365	405	38,5
	100	4"	350	410	459	54,5
PN 25	125	5"	400	465	520	74,0
	150	6"	480	560	610	105
	200	8"	600	610	670	200
PN 40	250	10	730	820	885	302
	300	12	850	945	1020	440
	200	8	600	610	670	210
PN 40	250	10	730	900	975	340
	300	12	850	1050	1140	480



WORKING CONDITIONS

PS max : 25 bar (TS max : +120 °C) PS max : 40 bar (TS max : +120 °C)
 (PN25) 17 bar (TS max : +300 °C) (PN40) 28 bar (TS max : +300 °C)
 13 bar (TS max : +400 °C) 21 bar (TS max : +400 °C)

Test procedures are established according to standards
 EN 12266-1, DIN 3230, BS 6755 and ISO 5208 :

Body PN25 : 37,5 bar
 Body PN40 : 60 bar

STANDARDS

Flanges drilled according to EN 1092-1 :
 ISO PN25 and PN40.