

Ref. : RP1692.pas

Rev. : Initial

Date : 06/11/08

Page : 1/1

NEEDLE VALVE FOR PRESSURE GAUGE WITH TEST CONNECTION

RP1692



ROBINETTERIE INDUSTRIELLE ET ACCESSOIRES
INDUSTRIAL VALVES AND ACCESSORIES

APPLICATION

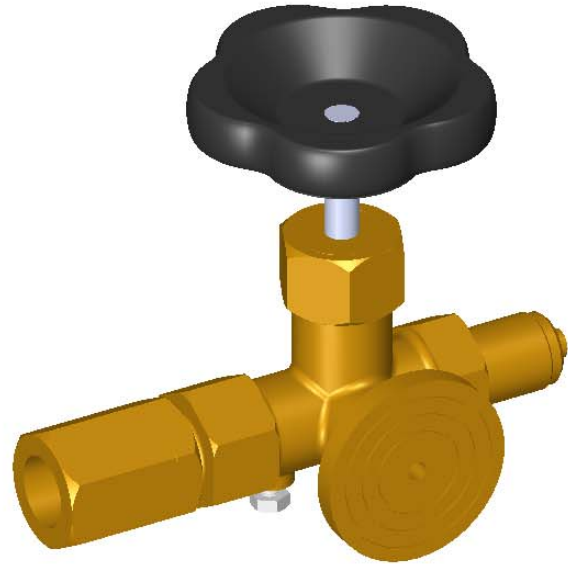
These needle valves are used to isolate the pressure gauge from the medium or to throttle and to damp pressure pulses.

GENERAL CHARACTERISTICS

Brass body, steel needle, PTFE packing.
Test connection (40 x 5mm) according to DIN 16272.
Vent plug.
PN250.

CONSTRUCTION

Pos.	Qty.	Description	Material
5	1	Hand wheel	Plastic
4	1	Rotating union nut	Steel
3	1	Adjusting nut	Steel
2	1	Stem	Steel
1	1	Body	Brass



DIMENSIONS

DN		H	L	Ø V	Weight (kg)
mm	inch				
15	1/2"	90	100	63	0,67

WORKING CONDITIONS

Maximum working pressure: 250bar.
Maximum temperature: +120°C.

STANDARDS

Threaded G1/2" according to standard DIN 16283.

