

Ref. : BS 3241.pas

Rev. : B

Date : 19/10/09

Page : 1/1

# FLANGED FULL BORE BALL VALVE

## BS 3241



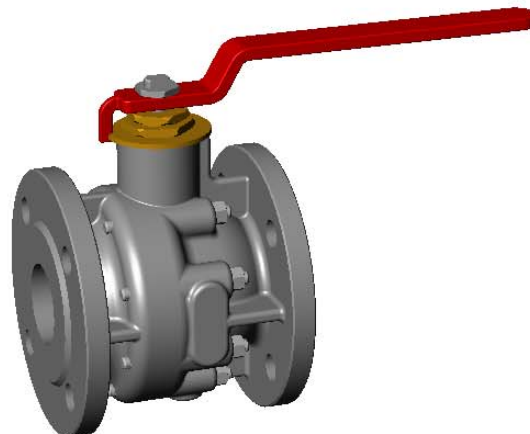
ROBINETTERIE INDUSTRIELLE ET ACCESSOIRES  
INDUSTRIAL VALVES AND ACCESSORIES

### APPLICATION

General uses : Industrial water supplies, heating/ ventilation plants, industrial, agricultural sector, chemical and naval uses.

### GENERAL CHARACTERISTICS

ISO flanged ends PN 10/16.  
Operating by steel lever, 1/4 turn.  
Full bore.  
Unejector stem.  
Platinize ISO.  
Stem sealing by O'ring.

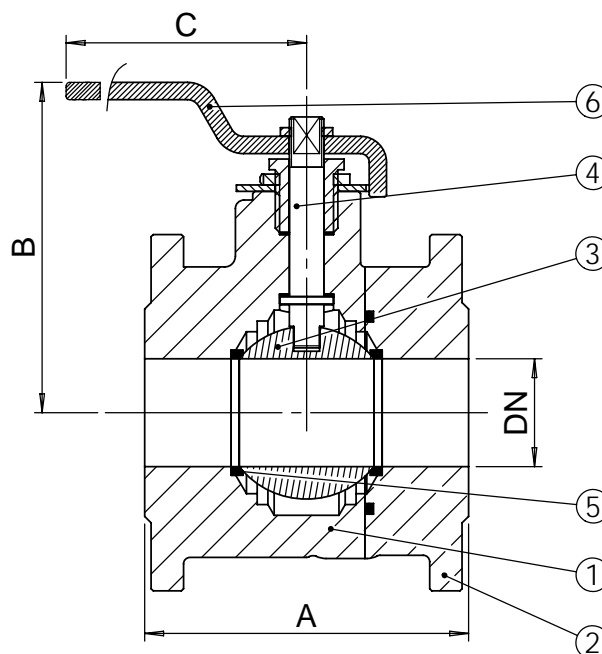


### CONSTRUCTION

6	1	Handle	Steel
5	2	Seat	PTFE
4	1	Stem	Brass
3	1	Ball	Heavy chromed brass
2	1	Bonnet	Cast iron EN-GJS 400-15
1	1	Body	Cast iron EN-GJS 400-15
<b>Pos.</b>	<b>Qty.</b>	<b>Description</b>	<b>Material</b>

### DIMENSIONS

DN		A	B	C	ISO	Weight (kg)
mm	inch					
40	1"1/2	140	125	230	F05	6,2
50	2"	150	135	230	F05	9,0
65	2"1/2	170	143	230	F05	12,2
80	3"	180	165	280	F07	15,5
100	4"	190	180	360	F07	20,0
125	5"	200	225	450	F10	28,0
150	6"	210	243	560	F10	38,5
200	8"	400	320	1000		93,0



### WORKING CONDITIONS

Maximum working pressure : 16 bar.  
Maximum temperature : +100°C.

### STANDARDS

Face à face according to standards :  
DN 40-150 : EN 558-1 serie 14 and DIN 3202 /F4.  
DN 200 : EN 558-1 serie 15 and DIN 3202 /F5.  
Flanges drilled according to standard EN 1092-2 : ISO PN10/16.