

Ref. : VP 4240-08.pas

Rev. : C

Date : 05/11/09

Page : 1/1

DOUBLE EXCENTRIC TYPE BUTTERFLY VALVE WITH GEAR BOX TECWAT PN16

VP 4240-08



ISO 9001 : 2000

Certifié par



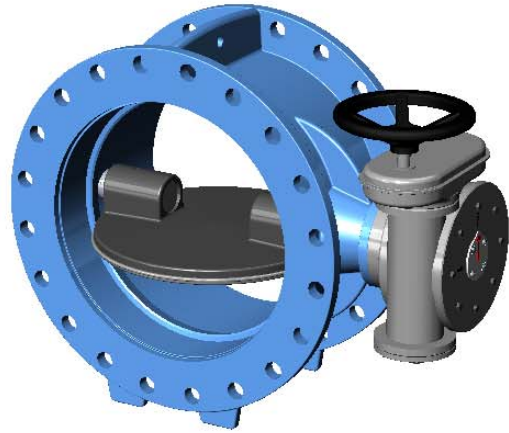
ROBINETTERIE INDUSTRIELLE ET ACCESSOIRES
INDUSTRIAL VALVES AND ACCESSORIES

APPLICATION

General use : potable water.

GENERAL CHARACTERISTICS

TECWAT type : long pattern.
Design in according to EN 593.
Range : from DN 150 to DN 1600.
Assembling with preferential sense
Bi-directional on demand.
Double excentric type.
Replaceable seat, no wrenkling possibility.
Food epoxy painting.



CONSTRUCTION

11	1	Gearbox		
10	2	Key	Steel Ck45	
9	2	O-ring	EPDM	
8	1	Sealing ring	EPDM	
7	1	Cover free end	Ductile iron EN-GJS-400-15	DIN: GGG 40 ASTM: A536 65-45-12 BS: 1563 EN-JS1030
6	2	Bearing bush	Bronze + DELRIN	
5	1	Shaft free end	Stainless steel X20Cr13	DIN: 1.4021 ASTM: AISI 420 BS: 420 S 37
4	1	Shaft driven end	Stainless steel X20Cr13	DIN: 1.4021 ASTM: AISI 420 BS: 420 S 37
3	1	Retaining ring	Steel S235JR	
2	1	Disc	Ductile iron EN-GJS-400-15	DIN: GGG 40 ASTM: A536 65-45-12 BS: 1563 EN-JS1030
1	1	Body	Ductile iron EN-GJS-400-15	DIN: GGG 40 ASTM: A536 65-45-12 BS: 1563 EN-JS1030
Rep.	Nb.	Designation	Material	

DIMENSIONS

DN		L	A	B	C	D	E	Weight (kg)
mm	inch							
150	6"	210	143	193,5	245	143	352	43
200	8"	230	170	193,5	245	170	377	55
250	10"	250	213	217,5	245	208	443	100
300	12"	270	240	217,5	245	239	494	125
350	14"	290	270	295	370	281	596	172
400	16"	310	300	295	370	297	593	200
450	18"	330	330	295	370	331	629	235
500	20"	350	368	341	370	356	677	330
600	24"	390	430	341	370	429	743	490
700	28"	430	465	375	370	470	785	632
800	32"	470	523	375	370	518	840	820
900	36"	510	573	427	370	576	898	1020
1000	40"	550	638	427	370	641	965	1318
1200	48"	630	753	532,5	485	758	1181	2470
1400	56"	710	853	532,5	485	860	1283	3510
1600	64"	790	975	673,5	485	1068	1508	5150

WORKING CONDITIONS

Maximum working pressure : 16 bar.
Maximum temperature : + 80 °C.

STANDARDS

Design according to EN 593.
Test procedures are established according to standards EN 12266-1 and API 598.
Face to face according to standard EN 558-1 serie 14.
Connections according to standard EN 1092-2 ISO PN16.

