

Ref. : VP 3449-02.pas

Rev. : Initial

Date : 25/10/06

Page : 1/1

# BUTTERFLY VALVE WITH HANDLE

## VP 3449-02



ROBINETTERIE INDUSTRIELLE ET ACCESSOIRES  
INDUSTRIAL VALVES AND ACCESSORIES

### APPLICATION

General use: water, sea water, air, acids etc.

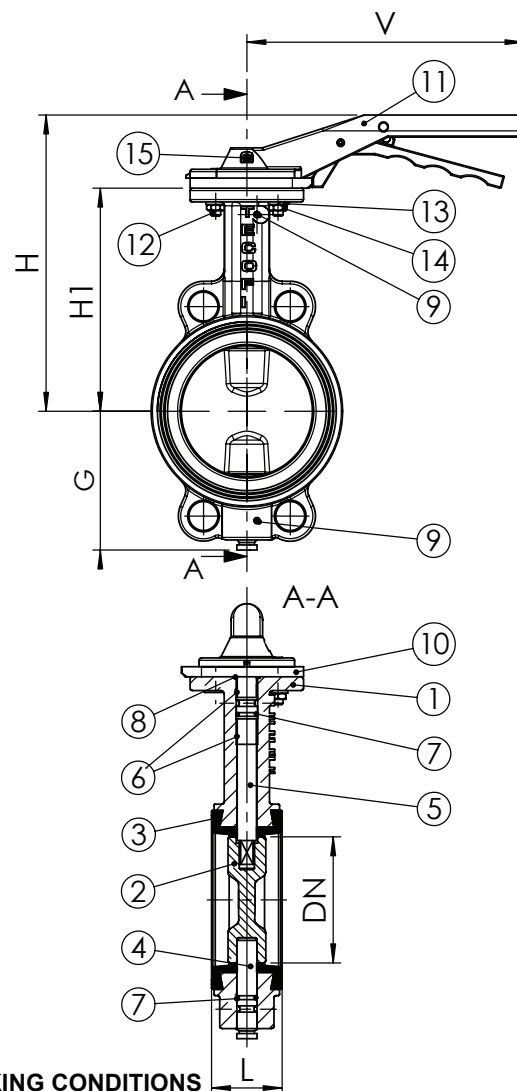
### GENERAL CHARACTERISTICS

Design in accordance with NF EN 593.  
TECFLY type with lugs enabling use on bottom line.  
Tightness in both ways. NF EN 12266-1, ISO 5208, DIN 3230.  
Two kinds of sleeves:  
• body in dovetail shape ensures a perfect assembling (for high vacuum we can stick it),  
• Internally reinforced resin sleeve giving a lower torque.  
Stem: high and low semi stem giving a high flow coefficient.  
Machined disc on periphery giving a low and regular torque.  
Stem unejectable.  
Bearing: stainless steel teflon lined.  
Dovetail type sleeve.  
According to ISO 5211.  
Lever: ductile iron, very resistant: notched, locked notch, regulating option.  
It's easy to change the locked notched type into a regulating lever, without disassembling.



### CONSTRUCTION

15	1	Screw	Stainless steel A2	
14	2	Nut	Stainless steel A2	
13	2	Spring washer	Stainless steel A2	
12	2	Screw FHC	Stainless steel A2	
11	1	Handle	Ductile iron	
10	1	Notched indicator	Aluminium	
9	2	Split pin	Stainless steel	
8	1	Gasket	NBR	
7	2	O-Ring	NBR	
6	2	Guiding bearing	Teflon-lined c/s	
5	1	Upper stem	Stainless steel 316	DIN: X5CrNiMo18 10 ASTM: A 182 AISI 316 BS: 970 316 S16
4	1	Lower stem	Stainless steel 316	DIN: X5CrNiMo18 10 ASTM: A 182 AISI 316 BS: 970 316 S16
3	1	Sleeve	Heat EPDM	
2	1	Disc	GX5CrNiMo 19-11-2	DIN: G-X6CrNiMo18 10 ASTM: A 351 Grade CF8M BS: 1504 316 C16
1	1	Body	Cast iron EN-GJL-250	DIN: GG25 ASTM: A48 class 40B BS: 1452 Grade 250
Pos.	Qty.	Description	Material	



### DIMENSIONS

DN	L	G	H	H1	V	Type	Weight (kg)
40 - 1"1/2	33	66	184	133	180	F07	3,0
50 - 2"	43	72	190	140	180	F07	3,7
65 - 2"1/2	46	78	203	153	180	F07	4,3
80 - 3"	46	89	209	159	180	F07	4,9
100 - 4"	52	102	228	178	220	F07	6,4
125 - 5"	56	117	240	190	220	F07	8,2
150 - 6"	56	130	253	203	220	F07	9,7
200 - 8"	60	159	288	238	318	F10	17,2
250 - 10"	68	190	318	268	318	F10	25,6
300 - 12"	78	222	356	306	318	F10	36,0

### STANDARDS

Manufacture according to the requirements of the European directive 97/23/CE  
«Equipment under pressure»: fluids category III modulate H.  
Face to face according to standards NF EN 558-1 serie 20,  
ISO 5752 serie 20, DIN 3202.  
Mounting between flanges PN 10 / PN 16: according to  
EN 1092-2, BS 450, ANSI B16.1-5.  
Adjustable between flanges ASA 150.  
PN20 on request with ductile iron body.

### WORKING CONDITIONS

Maximum working pressure : 16 bar.  
Maximum temperature : -15°C / +130°C.  
Peak temperature : -30°C / +150°C.

Pressure test according to standards  
EN 12266-1, DIN 3230, BS 6755 and ISO 5208 :  
Body : 24 bar.  
Seat : 17,6 bar.

5, impasse Pascal - Z.I. - BP 177 - 69686 CHASSIEU Cedex - FRANCE  
Tél. +33 (0) 4 72 79 05 79 - Fax +33 (0) 4 78 90 19 19 / +33 (0) 4 72 79 05 70  
E-mail : tecofi@tecofi.fr - Service commercial / Sales dep. : sales@tecofi.fr - www.tecofi.fr