

Ref. : BS 5245.pas

Rev. : Initial

Date : 30/03/07

Page : 1/1

FLANGED 2 PIECES SLIP BODY BALL VALVE

BS 5245



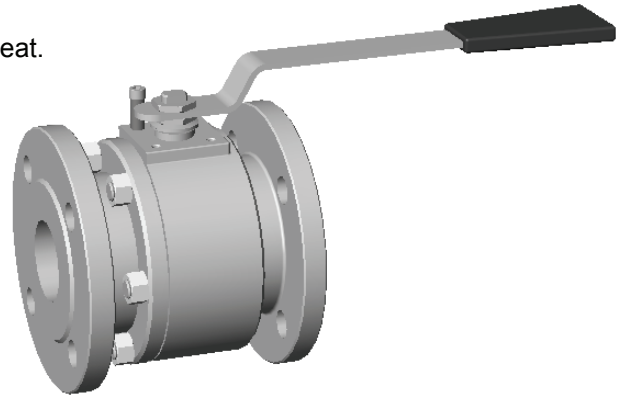
ROBINETTERIE INDUSTRIELLE ET ACCESSOIRES
INDUSTRIAL VALVES AND ACCESSORIES

APPLICATION

General use : oil, hydrocarbons, liquidates, gas, paint, solvent.

GENERAL CHARACTERISTICS

Full bore.
Antistatic device.
Carbon steel body, carbone steel stem, stainless steel ball-PTFE seat.
Range : DN 15 up to DN 250

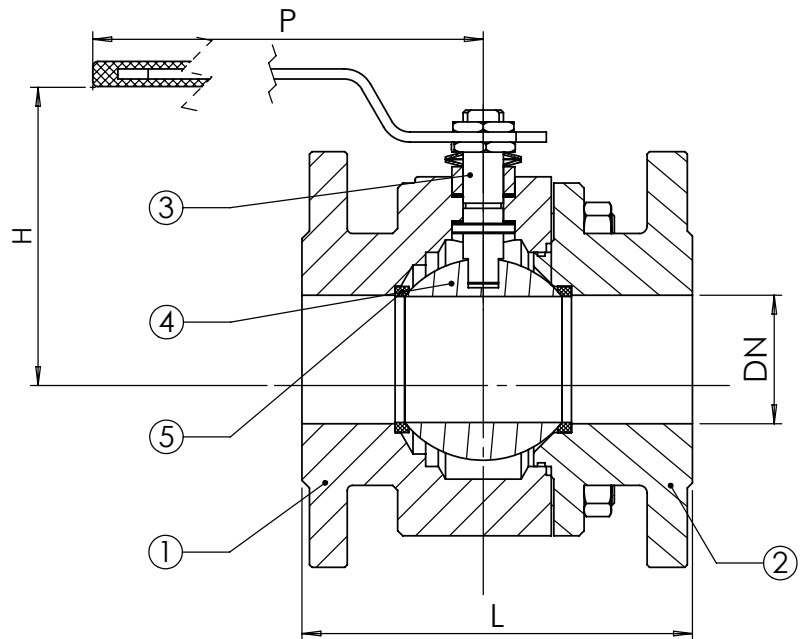


CONSTRUCTION

5	1	Seat	PTFE	
4	2	Ball	Stainless steel 304	DIN: X5CrNi18 10 ASTM: A 182 AISI 304 BS: 1449-2 304 S15
3	1	Stem	Carbon steel	
2	1	Closure	Carbon steel	DIN: GS-C25 ASTM: ASTM A216 Grade WCB BS: 161 Grade 430E
1	1	Body	Carbon steel	DIN: GS-C25 ASTM: ASTM A216 Grade WCB BS: 161 Grade 430E
Pos.	Qty.	Description	Material	

DIMENSIONS

DN		L	H	P	Weight (kg)
mm	inch				
15	1/2"	115	64	145	2.7
20	3/4"	120	66	145	3.0
25	1"	125	85	180	5.5
32	1" 1/4	130	90	180	6.8
40	1" 1/2	140	118	275	10.5
50	2"	150	128	275	15.5
65	2" 1/2	170	139	380	21.0
80	3"	180	144	380	25.0
100	4"	190	200	440	38.0
125	5"	325	212	440	60.0
150	6"	350	265	800	70.0
200	8"	400	320	800	105.0
250	10"	450	-	-	150.0



WORKING CONDITIONS

Maximum working pressure : 16 bar.
Maximum temperature : +150°C.

Pressure test according to standards
EN 12266-1, DIN 3230, BS 5154 and ISO 5208 :

Body : 24 bar.
Seat : 17,6 bar.

AGREEMENT AND STANDARDS

Flanges drilled according to EN 1092-1 : ISO PN16.
Packing mounting plate drilled according ISO 5211.
Face to face according to DIN 3202 serie F4.