

Ref. : VP 4200-08.pas

Rev. : B

Date : 05/11/09

Page : 1/1

DOUBLE EXCENTRIC TYPE BUTTERFLY VALVE WITH GEAR BOX TECWAT

VP 4200-08



ISO 9001 : 2000

Certifié par



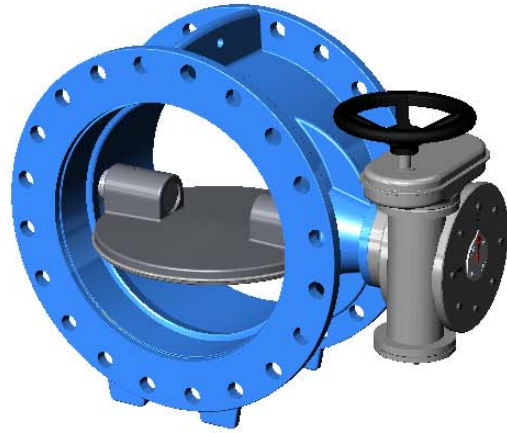
ROBINETTERIE INDUSTRIELLE ET ACCESSOIRES
INDUSTRIAL VALVES AND ACCESSORIES

APPLICATION

General use : potable water.

GENERAL CHARACTERISTICS

TECWAT type : long pattern.
Design in according to EN 593.
Range : from DN 150 to DN 1600.
Assembling with preferential sense
Bi-directional on demand.
Double excentric type.
Replaceable seat, no wrenkling possibility.
Food epoxy painting.



CONSTRUCTION

11	1	Gearbox		
10	2	Key	Steel Ck45	
9	2	O-ring	EPDM	
8	1	Sealing ring	EPDM	
7	1	Cover free end	Ductile iron EN-GJS-400-15	DIN: GGG 40 ASTM: A536 65-45-12 BS: 1563 EN-JS1030
6	2	Bearing bush	Bronze + DELRIN	
5	1	Shaft free end	Stainless steel X20Cr13	DIN: 1.4021 ASTM: AISI 420 BS: 420 S 37
4	1	Shaft driven end	Stainless steel X20Cr13	DIN: 1.4021 ASTM: AISI 420 BS: 420 S 37
3	1	Retaining ring	Steel S235JR	
2	1	Disc	Ductile iron EN-GJS-400-15	DIN: GGG 40 ASTM: A536 65-45-12 BS: 1563 EN-JS1030
1	1	Body	Ductile iron EN-GJS-400-15	DIN: GGG 40 ASTM: A536 65-45-12 BS: 1563 EN-JS1030
Rep.	Nb.	Designation	Material	

DIMENSIONS

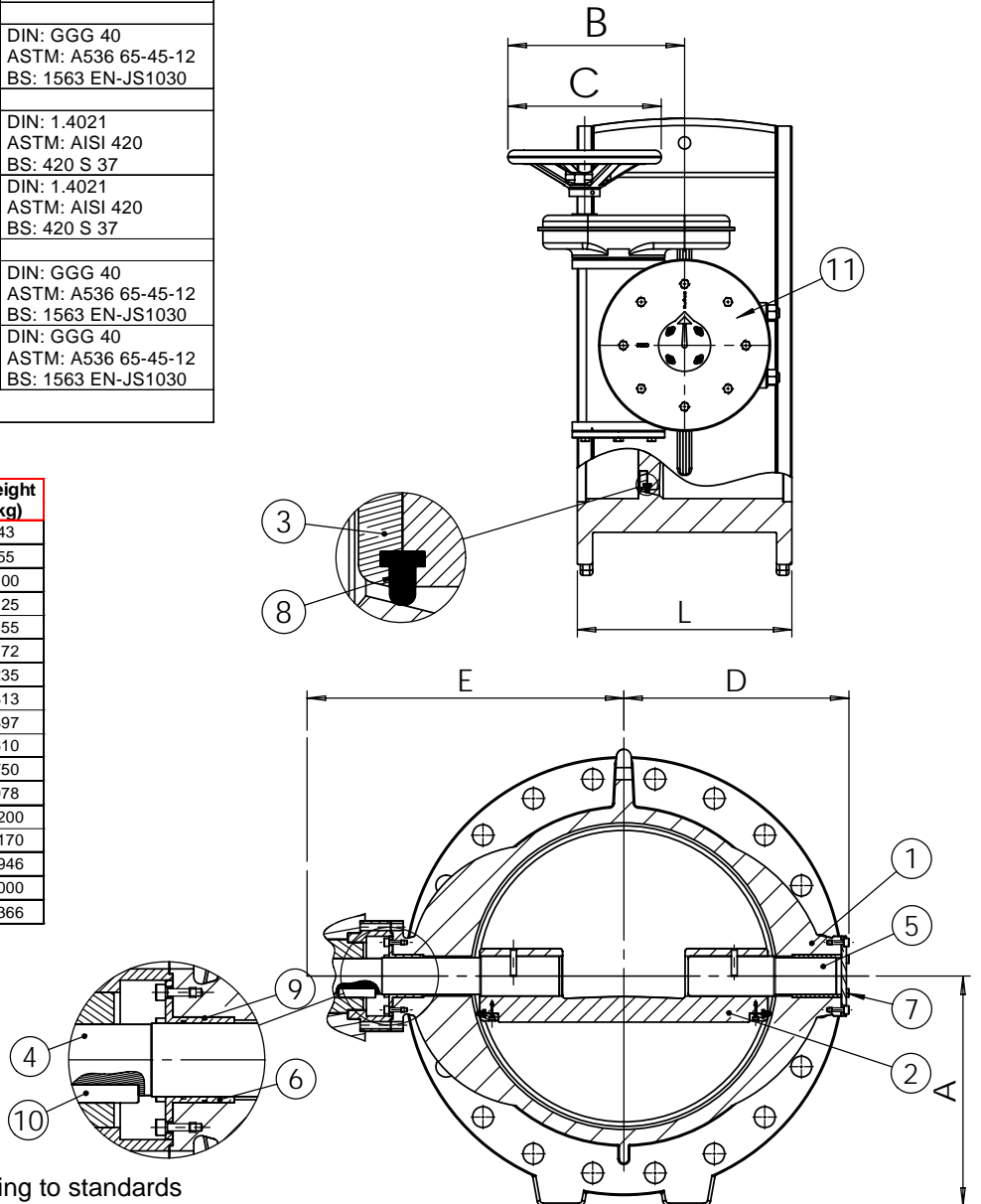
DN		L	A	B	C	D	E	Weight (kg)
mm	inch							
150	6"	210	143	193,5	245	143	352	43
200	8"	230	170	193,5	245	170	377	55
250	10"	250	213	217,5	245	208	443	100
300	12"	270	240	217,5	245	239	494	125
350	14"	290	263	295	370	281	596	155
400	16"	310	293	295	370	297	593	172
450	18"	330	330	295	370	331	629	235
500	20"	350	345	341	370	356	677	313
600	24"	390	400	341	370	399	705	397
700	28"	430	458	375	370	493	796	610
800	32"	470	518	375	370	553	859	750
900	36"	510	568	427	370	604	918	978
1000	40"	550	625	427	370	641	965	1200
1200	48"	630	738	532,5	485	758	1181	2170
1400	56"	710	848	532,5	485	860	1283	2946
1500	64"	750	920	673,5	485	928	1360	4000
1600	72"	790	968	673,5	485	1021	1457	4366

WORKING CONDITIONS

Maximum working pressure : 10 bar.
Maximum temperature : + 80 °C.

STANDARDS

Design according to EN 593.
Test procedures are established according to standards EN 12266-1 and API 598.
Face to face according to standard EN 558-1 serie 14.
Connections according to standard EN 1092-2 ISO PN10.



5, impasse Pascal - Z.I. - BP 177 - 69686 CHASSIEU Cedex - FRANCE

Tél. +33 (0) 4 72 79 05 79 - Fax +33 (0) 4 78 90 19 19 / +33 (0) 4 72 79 05 70

E-mail : tecofi@tecofi.fr - Service commercial / Sales dep. : sales@tecofi.fr - www.tecofi.fr