

Ref. : VP 5448-08.pas

Rev. : A

Date : 27/08/2009

Page : 1/1

BUTTERFLY VALVE WITH GEAR BOX

VP 5448-08



ROBINETTERIE INDUSTRIELLE ET ACCESSOIRES
INDUSTRIAL VALVES AND ACCESSORIES

APPLICATION

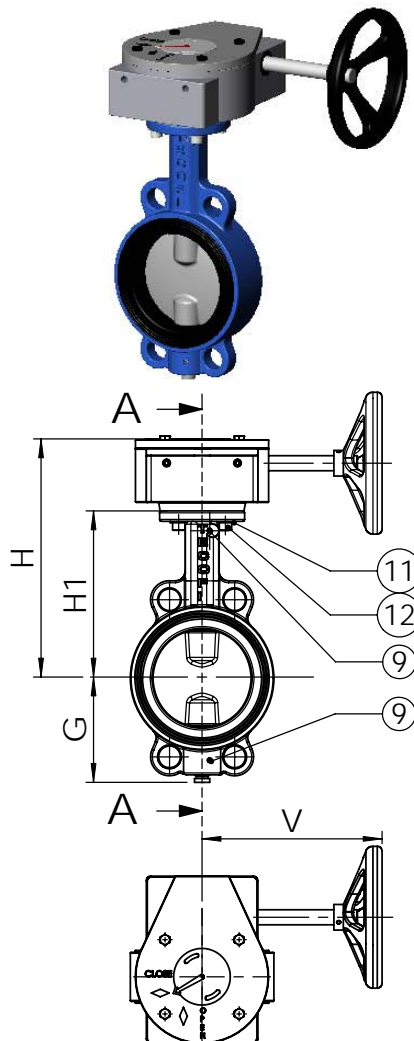
General use : Water, air, acids etc.

GENERAL CHARACTERISTICS

Design in accordance with NF EN 593.
TECFLY type with lugs enabling use on bottom line.
Tightness in both ways.
Sleeves body in dovetail shape ensures a perfect assembling (for high vacuum we can stick it)
Stem: high and low semi stem giving a high flow coefficient.
Machined disc with on periphery giving a low and regular torque.
Stem unjectable, bearing:stainless steel teflon lined.
Dovetail type sleeve, accordind to ISO 5211.

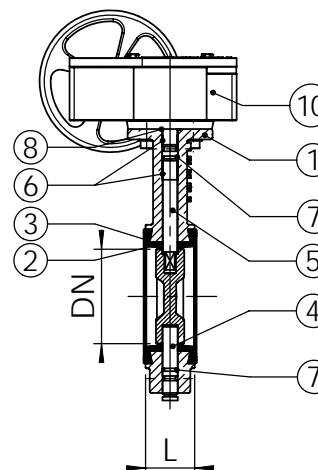
CONSTRUCTION

| 12 | 4 | Screw CHC | Stainless steel A2 | |
|------|------|-----------------|-------------------------|--|
| 11 | 4 | Washer | Stainless steel A2 | |
| 10 | 1 | Gear box | Cast iron | |
| 9 | 2 | Split pin | Sainless steel | |
| 8 | 1 | Gasket | NBR | |
| 7 | 2 | O-ring | NBR | |
| 6 | 2 | Guiding bearing | Teflon-lined | |
| 5 | 1 | Upper stem | Stainless steel 416 | DIN: 1.4005 ASTM: AISI 416 BS: 416 S21 |
| 4 | 1 | Lower stem | Stainless steel 416 | DIN: 1.4005 ASTM: AISI 416 BS: 416 S21 |
| 3 | 1 | Sleeve | Heat EPDM | |
| 2 | 1 | Disc | Steel A216 Grade WCB | DIN: GGG 40 ASTM: A536 65-45-12 BS: 1563 JS-1030 |
| 1 | 1 | Body | Steel GP240GH | DIN: GS-C25 ASTM: A216 Grade WCA BS: 161 Grade B |
| Pos. | Qty. | Description | Material | |



DIMENSIONS

| DN | L | G | H | H1 | V | ØP | TYPE | Weight (kg) |
|------------|----|-----|-----|-----|-----|-----|------|-------------|
| 40 - 1"1/2 | 33 | 66 | 249 | 134 | 148 | 150 | F07 | 7,4 |
| 50 - 2" | 43 | 72 | 255 | 140 | 148 | 150 | F07 | 8,0 |
| 65 - 2"1/2 | 46 | 78 | 268 | 153 | 148 | 150 | F07 | 8,6 |
| 80 - 3" | 46 | 89 | 274 | 159 | 148 | 150 | F07 | 9,2 |
| 100 - 4" | 52 | 102 | 293 | 178 | 148 | 150 | F07 | 10,6 |
| 125 - 5" | 56 | 117 | 305 | 190 | 148 | 300 | F07 | 12,4 |
| 150 - 6" | 56 | 130 | 318 | 203 | 148 | 300 | F07 | 13,9 |
| 200 - 8" | 60 | 159 | 430 | 238 | 238 | 300 | F10 | 26,9 |
| 250 - 10" | 68 | 190 | 460 | 268 | 238 | 300 | F10 | 36,9 |
| 300 - 12" | 78 | 222 | 495 | 306 | 226 | 300 | F10 | 47,3 |



STANDARDS

Product in accordance to european directive "Pressure equipments" N° 97/23/CE: fluids category III modulate H.
Face to face according to standard NF EN 558-1 serie 20, ISO 5752 serie 20, DIN 3202.
Mounting between flanges PN10 / PN16 : according to EN 1092-2, BS450, ANSI B16.1-5.
Adjustable between flanges ASA 150.

WORKING CONDITIONS

Maximum working pressure : 16 bar.
Maximum temperature : -15°C / +130°C.
Peak temperature : -30°C / +150°C.

Pressure test according to standards EN 12266-1, DIN 3230, BS 6755 and ISO 5208 :
Body : 24 bar.
Seat : 17,6 bar.

5, impasse Pascal - Z.I. - BP 177 - 69686 CHASSIEU Cedex - FRANCE
Tél. +33 (0) 4 72 79 05 79 - Fax +33 (0) 4 78 90 19 19 / +33 (0) 4 72 79 05 70
E-mail : tecofi@tecofi.fr - Service commercial / Sales dep. : sales@tecofi.fr - www.tecofi.fr