

Ref. : DI 7240.pas

Rev. : A

Date : 02/04/09

Page : 1/1

RUBBER EXPANSION JOINT WITH SWIVEL FLANGES PN16

DI 724016



ROBINETTERIE INDUSTRIELLE ET ACCESSOIRES
INDUSTRIAL VALVES AND ACCESSORIES

APPLICATION

Expansion joint.

GENERAL CHARACTERISTICS

EPDM rubber bellow.
Zinc-plated steel flanged drilled ends - PN 16.
Movement :

- Axial compression,
- Axial extension,
- Lateral movement.

CONSTRUCTION

4	2	Flange	Zinc plated steel
3	2	Reinforced wire	Steel
2	1	Reinforcement	Nylon tyre cord
1	1	Bellow	EPDM
Pos.	Qty.	Description	Material

DIMENSIONS

DN		L	ØK	n x Ød	ØD	T	Lc	Le	Li	A°	Weight (kg)
mm	inch										
200	8"	205	295	12 x Ø23	340	21	25	14	22	15	17,1
250	10"	240	355	12 x Ø28	405	23	25	14	22	15	21,8
300	12"	260	410	12 x Ø28	460	25	25	16	22	15	29,7
350	14"	265	470	16 x Ø28	520	25	25	16	22	15	39,2
400	16"	265	525	16 x Ø31	580	27	25	16	22	15	46,8
450	18"	265	585	20 x Ø31	640	29	25	16	22	15	53,5
500	20"	265	650	20 x Ø34	715	29	25	16	22	15	63,0
600	24"	265	770	20 x Ø37	840	29	25	16	22	15	78,3

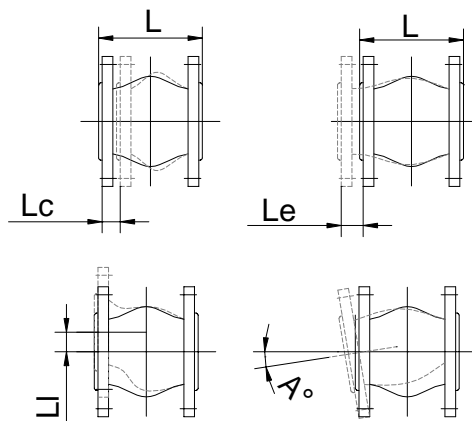
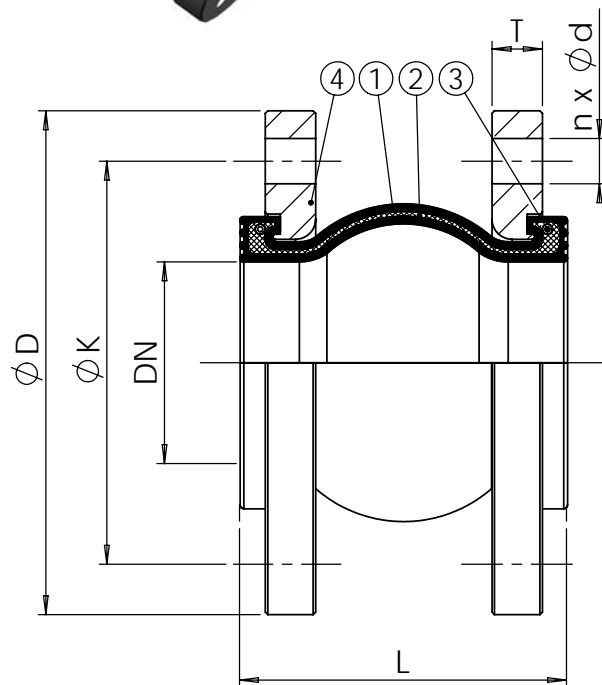
WORKING CONDITIONS

PS max : 10 bar
TS max : -10°C / +115°C

Pressure test according to standards
EN 12266-1, DIN 3230, BS 6755 and ISO 5208.

STANDARDS

Flanges drilled according to standard
EN 1092-1 ISO PN 16.



Lc : Axial compression.
Le : Axial extension.
Li : Lateral movement.