

Ref. : BS 5260.pas

Rev. : Initial

Date : 24/10/07

Page : 1/1

3 PIECES FLANGED BALL VALVE

BS 5260



ISO 9001 : 2000

Certifié par



ROBINETTERIE INDUSTRIELLE ET ACCESSOIRES
INDUSTRIAL VALVES AND ACCESSORIES

APPLICATION

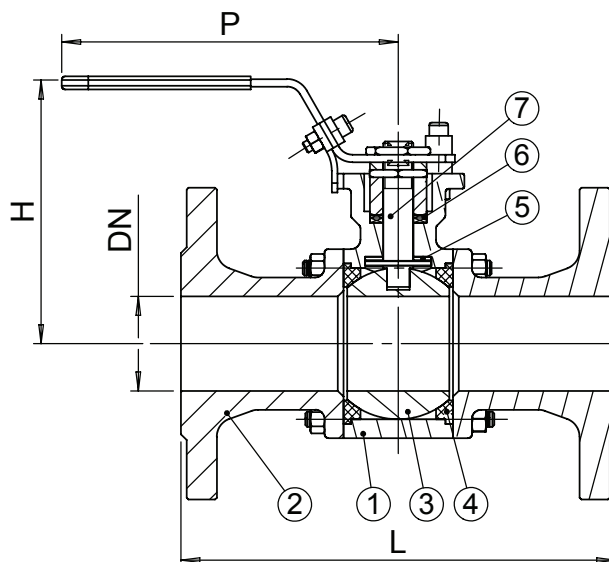
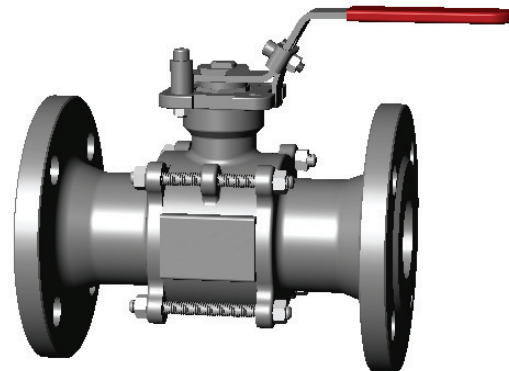
- General use : for all kind of fluids.

GENERAL CHARACTERISTICS

- From DN 1/2" to DN 4".
- Full bore.
- Three pieces.
- Flanged PN40.

CONSTRUCTION

7	1	Stem	Stainless steel 304	
6	1	Body gasket	PTFE + 15% fibers	
5	1	Packing	PTFE + 15% fibers	
4	2	Seat	PTFE + 15% fibers	
3	1	Ball	Stainless steel 316	Din: G-X6CrNiMo18 10 ASTM: Grade CF8M BS: 316 C16
2	2	Flanged	Steel	DIN : GS-C25 ASTM : A216 Grade WCA BS : 161 Grade B
1	1	Body	Steel	DIN : GS-C25 ASTM : A216 Grade WCA BS : 161 Grade B
Pos.	Qty.	Description	Material	



DIMENSIONS

DN		L	H	P	Weight (kg)
mm	inch				
15	1/2"	130	73,0	112,0	2,10
20	3/4"	150	80,8	112,0	2,80
25	1"	160	90,5	136,0	3,64
32	1" 1/4	180	98,7	185,0	5,50
40	1" 1/2	200	115,3	197,9	7,30
50	2"	230	124,0	198,0	10,0
65	2" 1/2	290	155,0	264,0	19,5
80	3"	310	208,5	264,0	25,1
100	4"	350	216,7	325,0	36,3

WORKING CONDITIONS

PS max : 40 bar
T max : + 180 °C

Test procedures are established according to standards
EN 12266-1, DIN 3230, BS 6755 et ISO 5208:
Body: 60 bar.

STANDARDS

Face to face according to EN 558-1 serie 1 and
DIN 3202 /F1.
Flanges drilled according to EN 1092-1 and
DIN 2501 : ISO PN40.