

BUTTERFLY VALVE WITH HANDLE

VP 5448-02



ROBINETTERIE INDUSTRIELLE ET ACCESSOIRES
INDUSTRIAL VALVES AND ACCESSORIES

APPLICATION

General use : Water, air, acids etc.

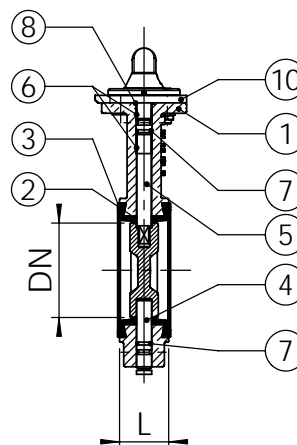
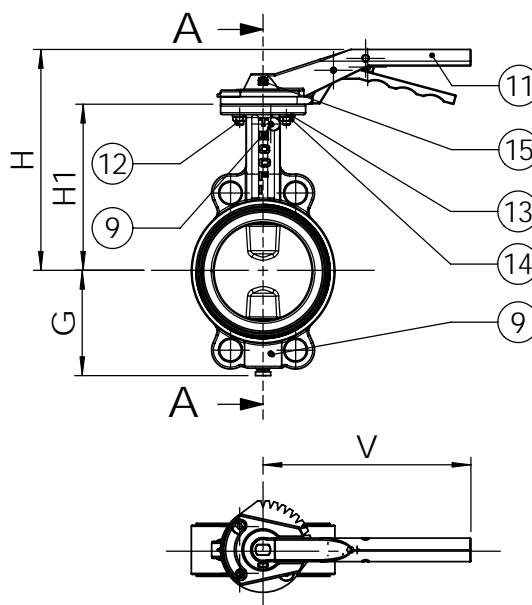
GENERAL CHARACTERISTICS

Design in accordance with NF EN 593.
TECFLY type with lugs enabling use on bottom line.
Tightness in both ways.
Sleeve body in dovetail shape ensures a perfect assembling (for high vacuum we can stick it)
Stem: high and low semi stem giving a high flow coefficient.
Machined disc with on periphery giving a low and regular torque.
Stem unjectable, bearing:stainless steel teflon lined.
Dovetail type sleeve, accordind to ISO 5211.
Lever in ductile iron very resistant : notched, locked notch, regulating option.
It's easy to change the locked notched type into a regulating lever, without disassembling.



CONSTRUCTION

15	1	Screw	Stainless steel A2	
14	2	Nut	Stainless steel A2	
13	2	Spring washer	Stainless steel A2	
12	2	Screw	Stainless steel A2	
11	1	Handle	Ductile iron	
10	1	Indicator	Aluminium	
9	2	Split pin	Sainless steel	
8	1	Gasket	NBR	
7	2	O-ring	NBR	
6	2	Guiding bearing	Teflon-lined	
5	1	Upper stem	Stainless steel 416	DIN: 1.4005 ASTM: AISI 416 BS: 416 S21
4	1	Lower stem	Stainless steel 416	DIN: 1.4005 ASTM: AISI 416 BS: 416 S21
3	1	Sleeve	Heat EPDM	
2	1	Disc	Ductile iron EN-GJS-400-15	DIN: GGG 40 ASTM: A536 65-45-12 BS: 1563 EN-JS1030
1	1	Body	Steel GP240GH	DIN: GS-C25 ASTM: A216 Grade WCA BS: 161 Grade B
Pos.	Qty.	Description	Material	



DIMENSIONS

DN	L	G	H	H1	V	Type	Weight (kg)
40 – 1"1/2	33	66	184	133	180	F07	3,0
50 – 2"	43	72	190	140	180	F07	3,7
65 – 2"1/2	46	78	203	153	180	F07	4,3
80 – 3"	46	89	209	159	180	F07	4,9
100 – 4"	52	102	228	178	220	F07	6,4
125 – 5"	56	117	240	190	220	F07	8,2
150 – 6"	56	130	253	203	220	F07	9,7
200 – 8"	60	159	288	238	318	F10	17,2
250 – 10"	68	190	318	268	318	F10	25,6
300 – 12"	78	222	356	306	318	F10	36,0

STANDARDS

Product in accordance to european directive "Pressure equipments"
N° 97/23/CE: fluids category III modulate H.
Face to face according to standard NF EN 558-1serie 20,
ISO 5752 serie 20, DIN 3202.
Mounting between flanges PN10 / PN16 : according to
EN 1092-1, BS450, ANSI B16.1-5.
Adjustable between flanges ASA 150.

WORKING CONDITIONS

Maximum working pressure : 16 bar.
Maximum temperature : -15°C / +130°C.
Peak temperature : -30°C / +150°C.

Pressure test according to standards
EN 12266-1, DIN 3230, BS 6755 and ISO 5208 :
Body : 24 bar.
Seat : 17,6 bar.