

Ref. : BS 1658.pas

Rev. : Initial

Date : 31/10/2007

Page : 1/1

# REDUCE BORE BALL VALVE

## BS 1658



ROBINETTERIE INDUSTRIELLE ET ACCESSOIRES  
INDUSTRIAL VALVES AND ACCESSORIES

### APPLICATION

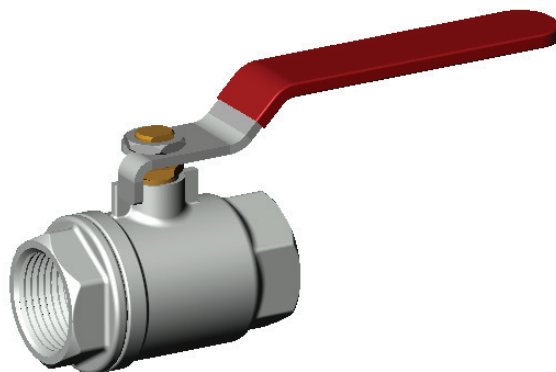
- General use : compressed air, oil, alcohol, gas, carbonates, etc.

### GENERAL CHARACTERISTICS

- From DN 1/4" to DN 3".
- Nickled brass body and mobil body.
- Chromed brass ball.

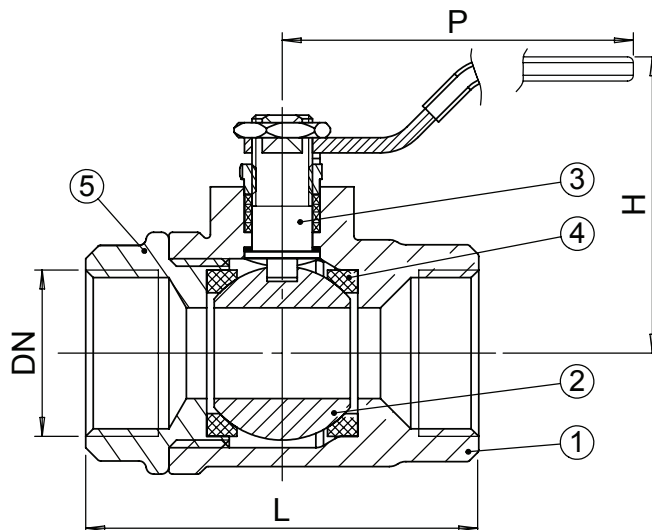
### CONSTRUCTION

5	1	Mobil body	Brass	DIN: CuZn398Pb2 ASTM: C37700 BS: CZ121
4	2	Seat	PTFE	
3	1	Stem	Brass	
2	1	Ball	Brass	DIN: CuZn398Pb2 ASTM: C37700 BS: CZ121
1	1	Body	Brass	DIN: CuZn398Pb2 ASTM: C37700 BS: CZ121
<b>Pos.</b>	<b>Qty.</b>	<b>Description</b>	<b>Material</b>	



### DIMENSIONS

DN		L	H	P	Weight (kg)
mm	inch				
8	1/4"	41,5	44,0	81,0	0,12
12	3/8"	41,5	44,0	81,0	0,12
15	1/2"	46,5	40,0	82,5	0,13
20	3/4"	49,5	46,0	82,5	0,17
25	1"	61,0	53,5	90,0	0,26
32	1" 1/4	69,0	65,0	118,5	0,45
40	1" 1/2	80,0	67,0	118,5	0,63
50	2"	92,0	77,0	132,0	0,97
65	2" 1/2	111	97,0	151,5	1,55
80	3"	124	105	178,0	2,31



### WORKING CONDITIONS

PS max : 16 bar  
T max : - 20°C / +120 °C

Test procedures are established according to standards  
EN 12266-1, DIN 3230, BS 5154 and ISO 5208 :  
- Body : 24 bar.

### STANDARDS

BSP threaded according to standard ISO 228-1.