

Ref. : BS 1142.pas

Rev. : Initial

Date : 05/09/08

Page : 1/1

# BALL VALVE WITH INSIDE CHECK VALVE

## BS 1142



ROBINETTERIE INDUSTRIELLE ET ACCESSOIRES  
INDUSTRIAL VALVES AND ACCESSORIES

### APPLICATION

General use : for all kind of fluids.

### GENERAL CHARACTERISTICS

From DN 1/4" to DN 2".  
Reduce bore.  
Sealing of the axis by packing flanged.  
With inside check valve

### CONSTRUCTION

7	1	Spring	Stainless steel 304	DIN: X5CrNi 18-10 ASTM: A182 AISI 304 BS: 1449-2 304 S15
6	1	Gasket of disc	Nitrile rubber	
5	1	Disc	Brass	
4	2	Seat	PTFE	
3	1	Stem	Brass	DIN: CuZn36Pb3 ASTM: B124 C37700 BS: 12164 CZ124
2	1	Ball	Chromed brass	
1	1	Body	Nickled brass	
<b>Pos.</b>	<b>Qty.</b>	<b>Description</b>	<b>Material</b>	



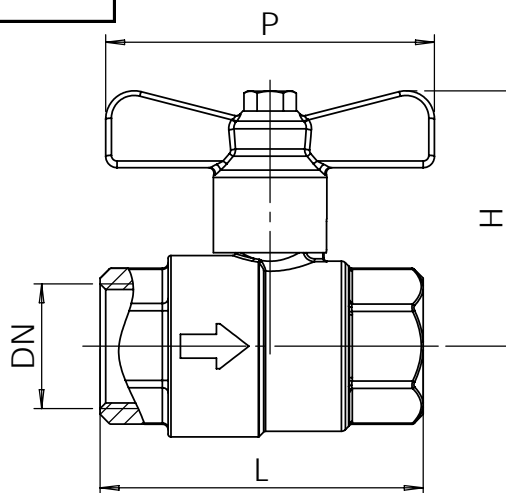
DN1/2" - DN1"



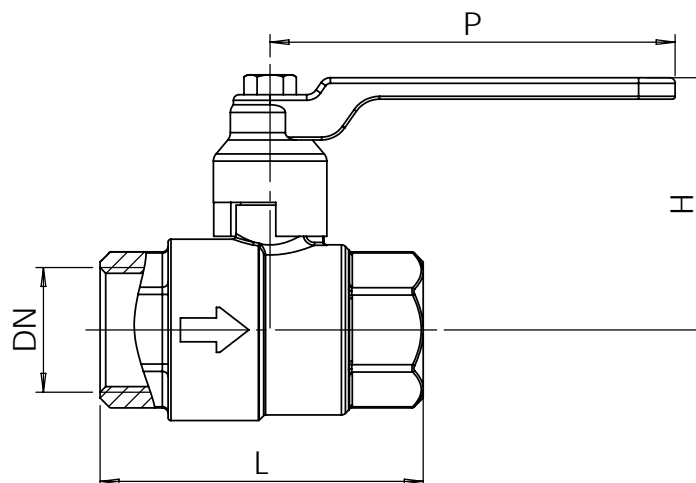
DN1"1/4 - DN2"

### DIMENSIONS

DN		L	H	P	Weight (kg)
mm	inch				
15	1/2"	51	50,5	58	0,26
20	3/4"	57	52,5	58	0,34
25	1"	70	61,5	70	0,58
32	1"1/4	83	65,5	111	0,92
40	1"1/2	89	80	149	1,48
50	2"	110	89	149	2,20



DN1/2" - DN1"



DN1"1/4 - DN2"

### WORKING CONDITIONS

Maximum working pressure : 16 bar.  
Maximum temperature : +90°C.

### AGREEMENT AND TESTING

BSP threaded according to standard ISO 228-1.