

Ref. : SR 2140.pas

Rev. : Initial

Date : 07/11/07

Page : 1/1

FREE LEAKAGE SAFETY VALVE

SR 2140



ROBINETTERIE INDUSTRIELLE ET ACCESSOIRES
INDUSTRIAL VALVES AND ACCESSORIES

APPLICATION

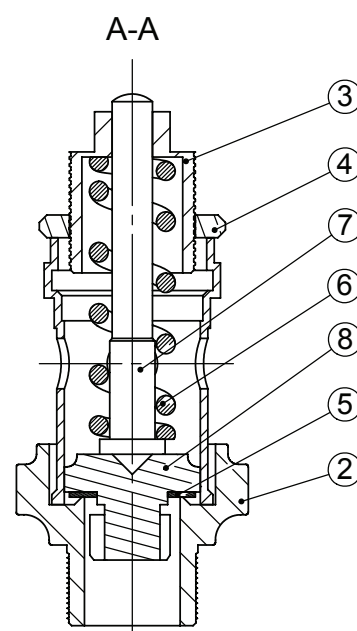
General use : air, water, heating, sanitary balloons of water.

GENERAL CHARACTERISTICS

- From DN 3/8" to DN 3".
- PN 16.
- Bronze body and connection.
- Male/male connection.

CONSTRUCTION

| | | | | |
|-------------|-------------|--------------------|-----------------|--|
| 8 | 1 | Clack valve | Bronze | |
| 7 | 1 | Stem | Bronze | |
| 6 | 1 | Spring | Steel | |
| 5 | 1 | Washer | PTFE | |
| 4 | 1 | Lock nut | Bronze | DIN: G-CuSn5PbZn(RG5) ASTM: C83600 BS: LG2 |
| 3 | 1 | Nut | Bronze | DIN: G-CuSn5PbZn(RG5) ASTM: C83600 BS: LG2 |
| 2 | 1 | Ends | Bronze | DIN: G-CuSn5PbZn(RG5) ASTM: C83600 BS: LG2 |
| 1 | 1 | Body | Bronze | DIN: G-CuSn5PbZn(RG5) ASTM: C83600 BS: LG2 |
| Pos. | Qty. | Description | Material | |



DIMENSIONS

| DN | | L | H | Weight (kg) |
|----|--------|-----|----|-------------|
| mm | inch | | | |
| 10 | 3/8" | 77 | 12 | 0,11 |
| 15 | 1/2" | 85 | 12 | 0,14 |
| 20 | 3/4" | 108 | 16 | 0,32 |
| 25 | 1" | 119 | 19 | 0,56 |
| 32 | 1" 1/4 | 132 | 20 | 0,73 |
| 40 | 1" 1/2 | 140 | 23 | 1,17 |
| 50 | 2" | 166 | 26 | 1,62 |
| 65 | 2" 1/2 | 203 | 28 | 2,60 |
| 80 | 3" | 261 | 31 | 5,95 |

WORKING CONDITIONS

PS max : 16 bar
T max : + 80 °C

Test procedures are established according to standards
EN 12266-1, DIN 3230, BS 5154 and ISO 5208 :
Body : 24 bar.

STANDARDS

BSP threaded according to standard ISO 228-1.

