

Ref. : SR 2141.pas

Rev. : Initial

Date : 25/10/06

Page : 1/1

CANALIZED LEAKAGE SAFETY VALVE

SR 2141



ISO 9001 : 2000

Certifié par



ROBINETTERIE INDUSTRIELLE ET ACCESSOIRES
INDUSTRIAL VALVES AND ACCESSORIES

APPLICATION

Safety unit.
Limitation of a fluid pressure to a precise value.

GENERAL CHARACTERISTICS

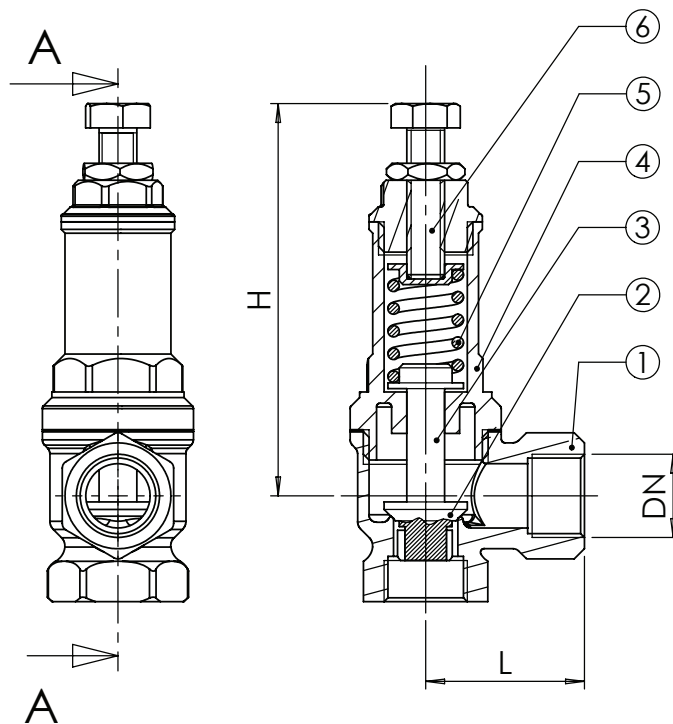
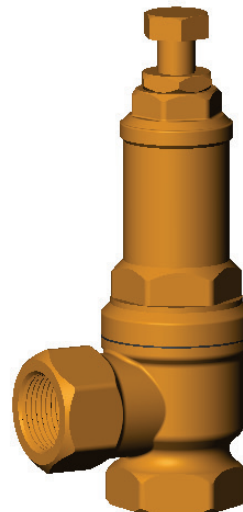
Canalized leakage safety valve with springs and range rating.
Bronze body, PTFE disc. PN 16.
Bracket BSP female threaded ends without lever.

CONSTRUCTION

6	1	Calibration screw	Brass	
5	1	Spring	Steel	
4	1	Bonnet	Bronze CuSn5Zn5Pb5-C	DIN: G-CuSn5PbZn (Rg 5) ASTM: B62 C83600 BS: 1400 LG2
3	1	Stem	Brass CuZn39Pb2	DIN: CuZn39Pb2 ASTM: B124 C37700 BS: 12164 CZ121
2	1	Disc	PTFE	
1	1	Body	Bronze CuSn5Zn5Pb5-C	DIN: G-CuSn5PbZn (Rg 5) ASTM: B62 C83600 BS: 1400 LG2
Pos.	Qty.	Description	Material	

DIMENSIONS

DN		L	H	Weight (kg)
mm	inch			
12	3/8"	33	123	0,37
15	1/2"	35	135	0,39
20	3/4"	42	167	0,63
25	1"	46	181	1,00
32	1" 1/4	55	210	1,45
40	1" 1/2	67	237	2,10
50	2"	74	259	3,25
65	2" 1/2	80	300	5,50
80	3"	90	320	6,80
100	4"	110	395	13,30



WORKING CONDITIONS

Maximum working pressure : 16 bar.
Maximum temperature : + 80°C.

Pressure test according to standards
EN 12266-1, DIN 3230, BS 5154 and ISO 5208 :
Body : 24 bar.
Seat : 17,6 bar.

STANDARDS

BSP threaded according to standard ISO 228-1.

5, impasse Pascal - Z.I. - BP 177 - 69686 CHASSIEU Cedex - FRANCE
Tél. +33 (0) 4 72 79 05 79 - Fax +33 (0) 4 78 90 19 19 / +33 (0) 4 72 79 05 70
E-mail : tecofi@tecofi.fr - Service commercial / Sales dep. : sales@tecofi.fr - www.tecofi.fr