

Ref. : MA 5100.pas

Rev. : A

Date : 24/04/07

Page : 1/1

VERTICAL CONNECTION STEEL/ABS PRESSURE GAUGE

MA 5100



ISO 9001 : 2000

Certifié par



ROBINETTERIE INDUSTRIELLE ET ACCESSOIRES
INDUSTRIAL VALVES AND ACCESSORIES

APPLICATION

Pressure measure.

GENERAL CHARACTERISTICS

Scales : Any graduations included between
-1 bar and + 400 bar.

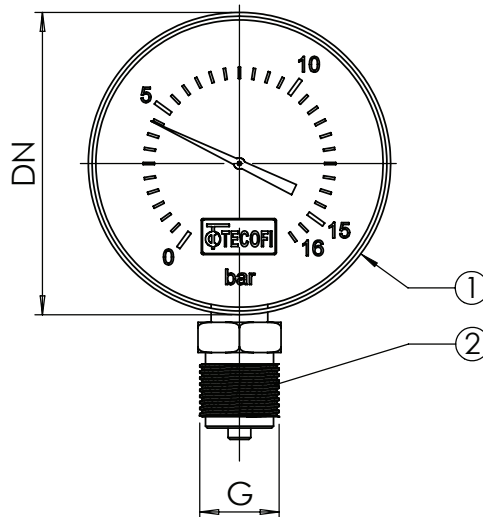
CONSTRUCTION

3	1	Mechanism	Brass
2	1	End	Brass
1	1	Casing	ABS (DN 63) Steel (DN 80-100)
Pos.	Qty.	Description	Material



DIMENSIONS

DN	G	Weight (kg)
63	1/4"	0,25
80	1/2"	0,43
100	1/2"	0,97



WORKING CONDITIONS

Maximum temperature : -10°C/+80°C.

STANDARDS

BSP male threaded according to standard ISO 228-1.