

Ref. : RF 1100.pas

Rev. : B

Date : 29/02/08

Page : 1/1

BRASS FLOAT VALVE

RF 1100



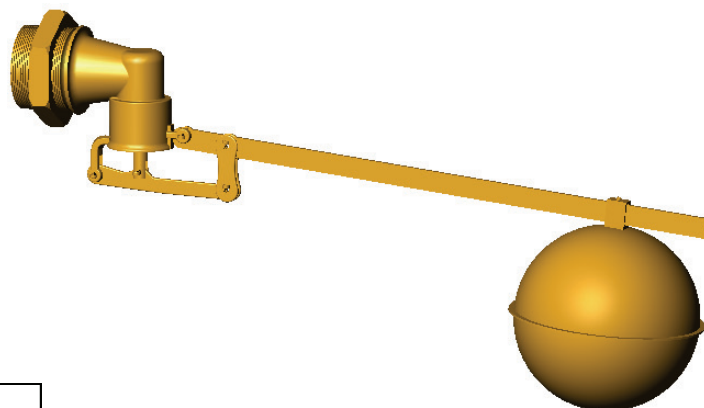
ROBINETTERIE INDUSTRIELLE ET ACCESSOIRES
INDUSTRIAL VALVES AND ACCESSORIES

APPLICATION

Fluid section.
Measure, control, gauge.

GENERAL CHARACTERISTICS

Ball valve with double toggles.
Brass body, copper float or ajustable PVC.



CONSTRUCTION

4	1	Nut	Brass CuZn39Pb2	DIN: CuZn39Pb2 ASTM: B124 C37700 BS: 12164 CZ121
3	1	Seat	Stainless steel	
2	1	Float	Copper, PVC	
1	1	Body	Brass CuZn39Pb2	DIN: CuZn39Pb2 ASTM: B124 C37700 BS: 12164 CZ121
Rep.	Nb.	Description	Material	

DIMENSIONS

DN		A	L	ØD	Working pressure PSmax (bar)	Flow (l/min)	Weight Float (kg)	Weight Valve (kg)
mm	inch							
12	3/8"	175	195	90	2	12	0.06	0.14
					5	15		
15	1/2"	175	205	90	2	12	0.07	0.16
					3	15		
20	3/4"	300	350	120	2	52	0.11	0.31
25	1"	300	350	150	2	134	0.16	0.49
32	1" 1/4	500	590	180	1	264	0.29	0.94
40	1" 1/2	500	590	220	1	464	0.33	1.43
					1	594	0.45	1.89
50	2"	500	600	220	1	594	0.45	1.89
65	2" 1/2	590	700	300	1	719	0.71	4.15
80	3"	590	730	300	1	1030	1.18	5.10
100	4"	700	850	300	1	1585	1.18	7.95

A : Displacement

WORKING CONDITIONS

Maximum temperature : + 80°C.

Pressure test according to standards
EN 12266-1, DIN 3230, BS 5154 and ISO 5208.

STANDARDS

BSP threaded according to standard ISO 228-1.

