

Ref. : RSP 1142.pas

Rev. : D

Date : 19/11/09

Page : 1/1

# BALL VALVE FULL BORE

## RSP 1142



ROBINETTERIE INDUSTRIELLE ET ACCESSOIRES  
INDUSTRIAL VALVES AND ACCESSORIES

### APPLICATION

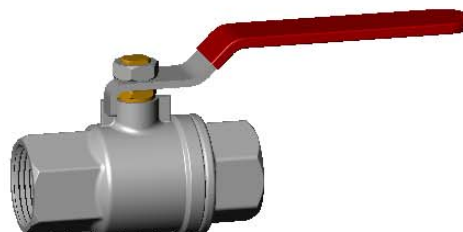
General uses : water distribution.

### GENERAL CHARACTERISTICS

Full bore  
Anti-blow out stem  
With gland pack

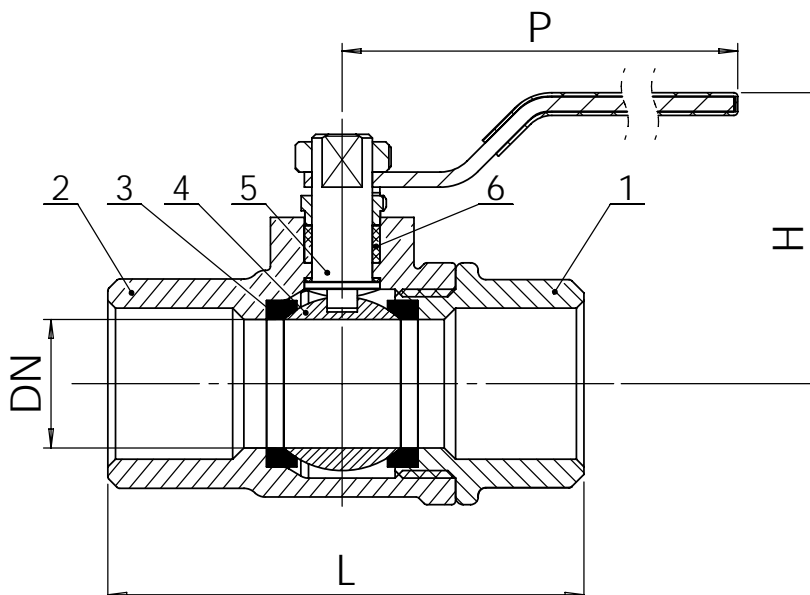
### CONSTRUCTION

6	1	Packing	PTFE
5	1	Stem	Brass
4	1	Ball	Chromed brass
3	2	Seat	PTFE
2	1	Interior body	Brossed brass
1	1	Exterior body	Nickeled brass
<b>Pos.</b>	<b>Qty.</b>	<b>Description</b>	<b>Material</b>



### DIMENSIONS

DN		H	L	P	Weight (kg)
mm	inch				
8	1/4"	41,8	44	81,5	0,13
12	3/8"	41,8	44	81,5	0,12
15	1/2"	45	49	81,5	0,18
20	3/4"	48	56	104	0,25
25	1"	57	66	102	0,38
32	1" 1/4	67,5	76	120	0,57
40	1" 1/2	73,5	87	120	0,80
50	2"	87,5	103	142	1,36
65	2" 1/2	110,5	132	236	2,49
80	3"	119,5	148	236	3,19
100	4"	129	168	240	4,90



### WORKING CONDITIONS

Maximum temperature : - 10°C / + 120°C.  
Maximum working pressure : DN 1/4" - 1" : 25 bar  
DN 1" 1/4 - 1" 1/2 : 20 bar  
DN 2" : 16 bar  
DN 2" 1/2 - 4" : 10 bar

### STANDARDS

BSP threaded according to standard ISO 228-1.